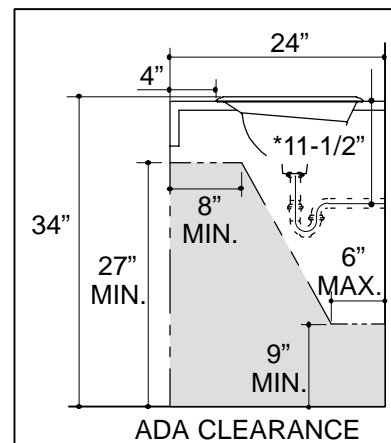
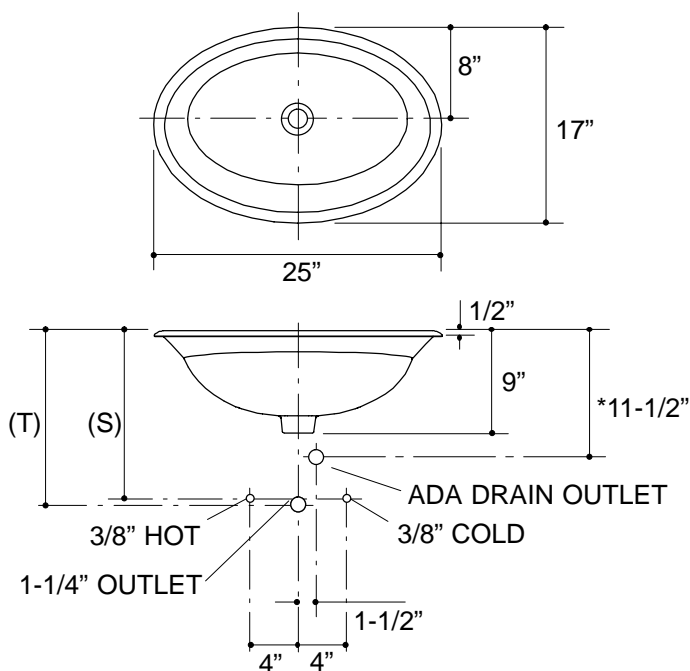


Product Information

ADA compliant.			
Fixture*:		basin area	water depth
Lavatory		23" x 15"	7"
Outlet	1-3/4" D.		
* Approximate measurements for comparison only.			
Included Components:			
Adhesive sealant		63034	
Adjustable linkage		40372	
Cutout template		114809-7	

Installation Notes

Refer to installation instructions included with fixture before beginning installation.



Roughing-In Notes

Fixture dimensions are nominal and conform to tolerances in ASME Standard A112.19.2M.

*Based on K-8998 with 1" of tailpiece exposed.

(T) Pop-up drain 14-5/8".

(S) 14" (Based on 12" riser which may require cutting).

4-5/8" minimum faucet spout length needed to reach over rim into basin.