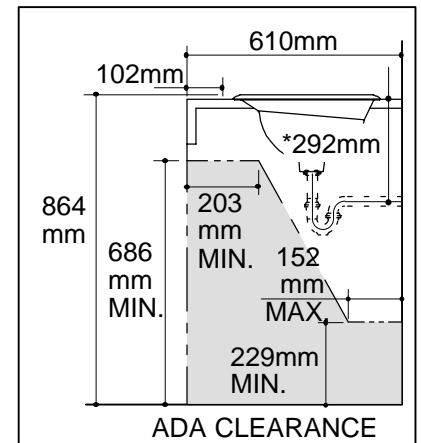
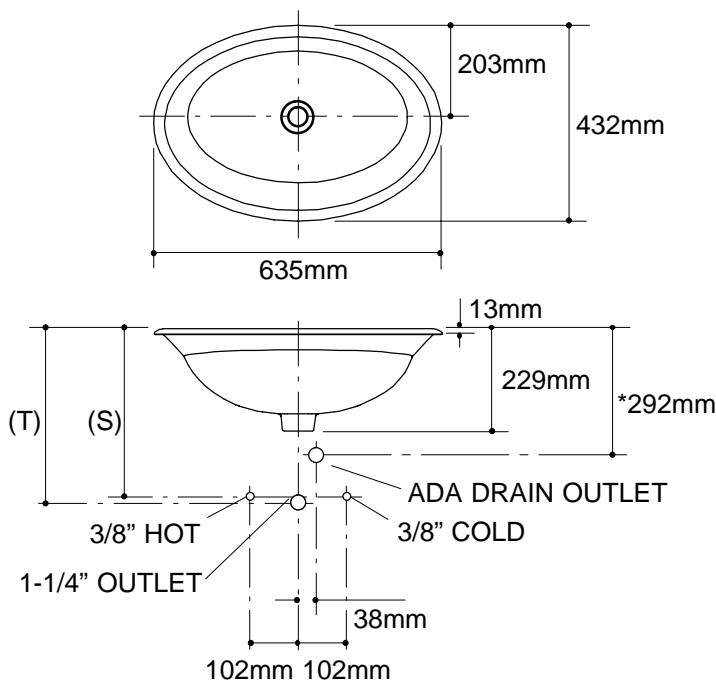


Product Information

ADA compliant.			
Fixture*:		basin area	water depth
Lavatory		584 x 381mm	178mm
Outlet	Ø44mm		
* Approximate measurements for comparison only.			
Included Components:			
Adhesive sealant		63034	
Adjustable linkage		40372	
Cutout template		114809-7	

Installation Notes

Refer to installation instructions included with fixture before beginning installation.



Roughing-In Notes

Fixture dimensions are nominal and conform to tolerances in ASME Standard A112.19.2M.

*Based on K-8998 with 25mm of tailpiece exposed.

(T) Pop-up drain 371mm.

(S) 356mm (Based on 305mm riser which may require cutting).

117mm minimum faucet spout length needed to reach over rim into basin.