

Ordering Information

Applicable lavatory:		
203mm centers	K-2260-8	shown
Single-hole	K-2260-1	not shown

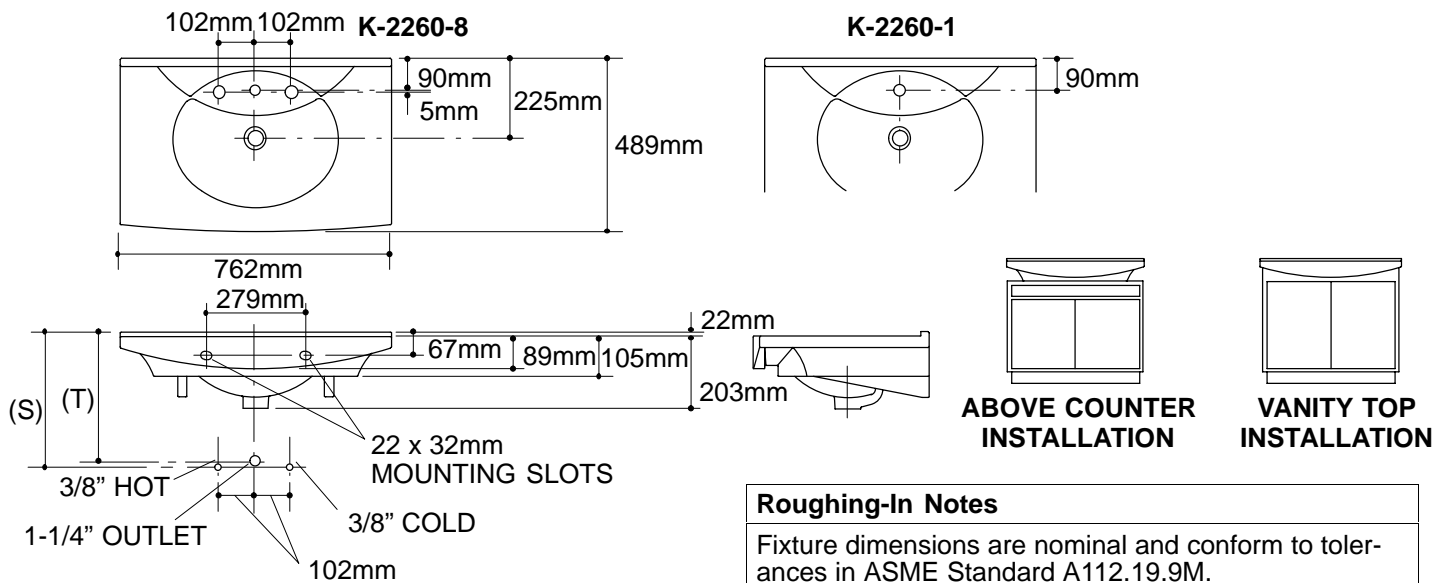
Product Information

Fixture*:		basin area	water depth
Lavatory		457 x 279mm	152mm
Outlet	Ø44mm		
* Approximate measurements for comparison only.			
Holes	K-2260-1	K-2260-8	
Spout	Ø35mm	Ø30mm	
Faucet		Ø35mm	

Included Components:	
Adhesive sealant	63034
Accessory pack	84518-FJ
Cutout template	114810-7

Installation Notes

Refer to installation instructions included with fixture before beginning installation.



Roughing-In Notes		
Fixture dimensions are nominal and conform to tolerances in ASME Standard A112.19.9M.		
(T) Pop-up drain 346mm.		
Supply (Based on 305mm riser which may require cutting.)	K-2260-1	K-2260-8
(S)	254mm	356mm

.75<116