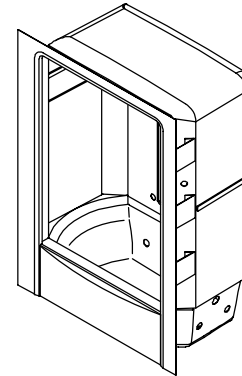


K-1052, K-1053

FEATURES

- 60" x 36" x 84"
- Acrylic
- Left or right outlet
- 6 Polished Chrome (-CP) or Polished Brass (-PB) BodyJets molded into the end wall
- System II - 1 hp 2 speed pump with integral heater & electronic switch
- 6 Flexjets
- UL Listed
- LESS ALL TRIM



CODES/STANDARDS APPLICABLE

Specified model meets or exceeds the following:

- ANSI Z124.2
- ASME/ANSI A112.19.7M
- IAPMO/UPC
- Underwriters Laboratories (UL)
- State of Massachusetts

COLORS/FINISHES

- 0 White
- Other Refer to Fixtures Price Book for additional colors

Accessories:

- CP Polished Chrome
- SV Nevada Silver™
- BR New England Brass™
- PB Polished Brass
- Other Refer to Price Book for additional finishes

SPECIFIED MODEL:

Model	Description	Colors/Finishes	
K-1052-CP	Whirlpool module with outlet at right (Polished Chrome)	<input type="checkbox"/> 0 White	<input type="checkbox"/> Other_____
K-1052-PB	Whirlpool module with outlet at right (Polished Brass)	<input type="checkbox"/> 0 White	<input type="checkbox"/> Other_____
K-1053-CP	Whirlpool module with outlet at left (Polished Chrome)	<input type="checkbox"/> 0 White	<input type="checkbox"/> Other_____
K-1053-PB	Whirlpool module with outlet at left (Polished Brass)	<input type="checkbox"/> 0 White	<input type="checkbox"/> Other_____

Required Accessories			
K-9846-L	Shower enclosure	<input type="checkbox"/> SV	<input type="checkbox"/> BR
K-9696	Trim kit	<input type="checkbox"/> 0 White	<input type="checkbox"/> Other_____
Recommended Accessories			
K-7161-AF	Drain	<input type="checkbox"/> CP	<input type="checkbox"/> PB
K-1096	Coralais Two-handle OR	<input type="checkbox"/> CP	<input type="checkbox"/> PB
K-1097	Coralais Rite-Temp	<input type="checkbox"/> CP	<input type="checkbox"/> PB
Optional Accessories			
K-9529	Seat	<input type="checkbox"/> 0 White	

PRODUCT SPECIFICATION:

The whirlpool module shall be 60" in length, 36" in width, and 84" in height. Whirlpool module shall be made of acrylic. Whirlpool module shall have left or right outlet. Whirlpool module shall have 6 Polished Chrome (-CP) or Polished Brass (-PB) BodyJets molded into the end wall. Whirlpool module shall have System II, with 6 Flexjets, 1 hp 2 speed pump with integral heater, and electronic switch. Whirlpool module shall be UL Whirlpool module shall be less all trim. Whirlpool module shall have optional K-9529 removable seat. Whirlpool module shall be Kohler Model K-_____-_____-_____.

BODYSPA

REQUIRED ELECTRICAL SERVICE

Dedicated circuit required, protected with Class A Ground-Fault Circuit-Interrupter (GFCI):	
Pump/control	120 V., 20 A, 60 Hz

PRODUCT INFORMATION

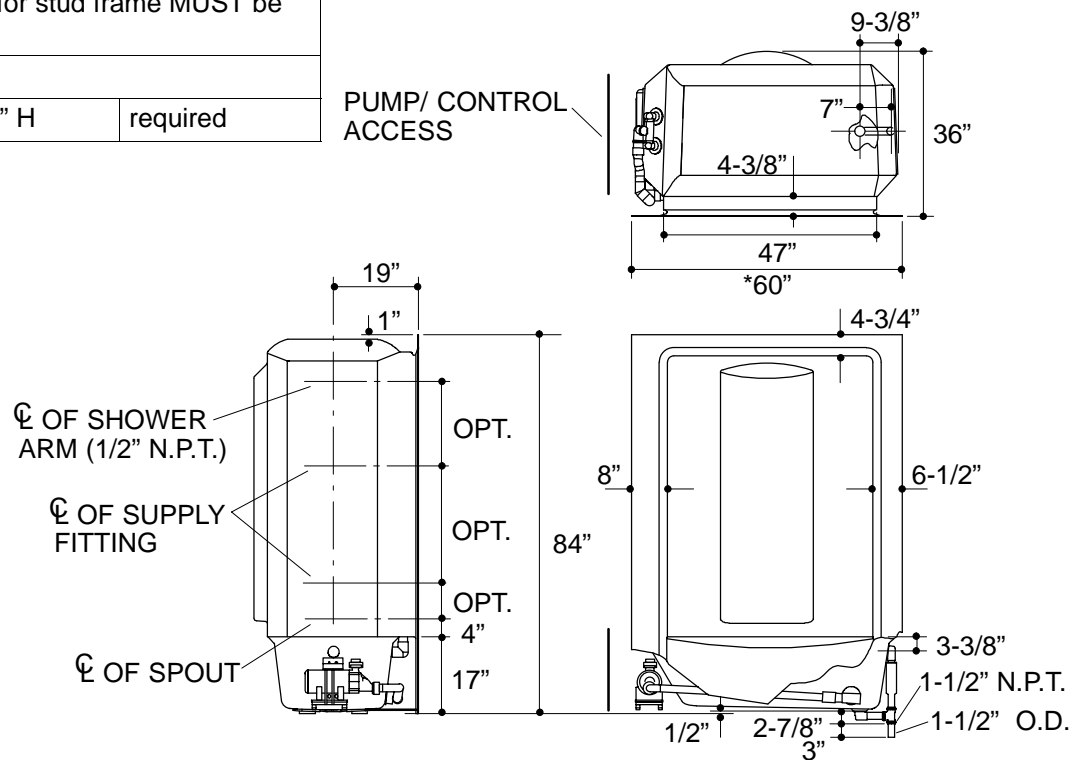
Fixture*:	basin area	top area	weight	
Bathing well	45" x 21"	52" x 26"	275 lbs.	
	water depth	capacity		
To overflow	11-1/2"	48-1/2 gal.**		
* Approximate measurements for comparison only.				
**29 gallon minimum required for BodySpa operation; 44 gallon minimum required for whirlpool operation.				
Pump:	HP	V	Hz	A
2-speed	1	120	60	16.5

Roughing-In Notes		
No change in measurements if connected with drain illustrated.		
*Unit width is 60", roughing-in for stud frame MUST be 60-1/2".		
Minimum access panel:		
Pump/control	22" W x 22" H	required

INSTALLATION NOTES

Unit is not drilled for supply fittings.

Each pump is supplied with a grounding type plug-in cord. Locate the outlet behind the whirlpool, and within 24" of the pump.



.75<132

PRODUCT DIAGRAM