

Ordering Information

Accessories/hardware:		
Bottom basin rack	K-6008	optional

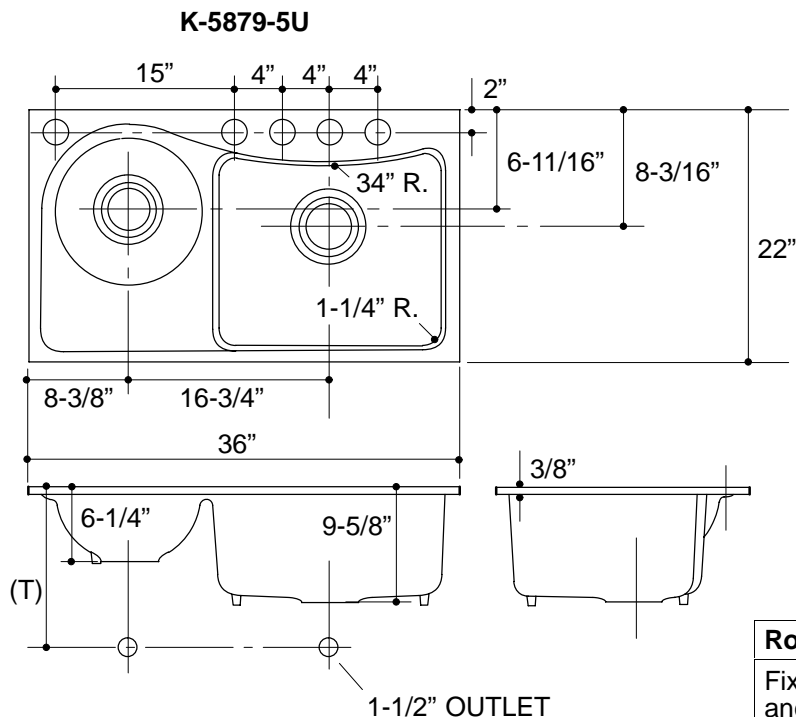
Product Information

Fixture*:		basin area	water depth
Sink, small		11-1/2" D.	5"
Sink, large		19" x 18"	8-1/2"
Outlet	3-7/8" D.		
Faucet and spout holes	2-3/8" D.		
* Approximate measurements for comparison only.			

Included Components:	
Cutout template	114832-7
Hardwood cutting board	95723

Installation Notes

Refer to installation instructions included with fixture before beginning installation.



Roughing-In Notes
Fixture dimensions are nominal and conform to tolerances in ASME/ANSI Standard A112.19.1M.
(T) Drain typically 14".