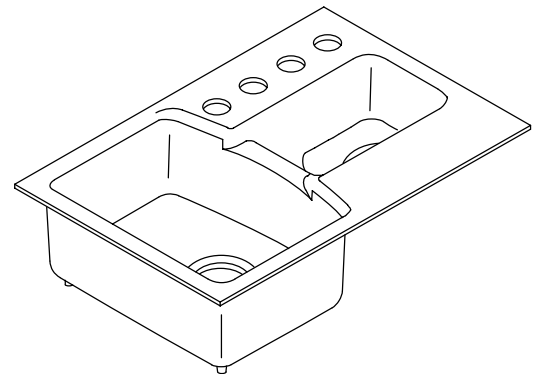


UNDERCOUNTER KITCHEN SINK

K-5882L-4U K-5882R-4U

FEATURES

- 33" x 22"
- Cast iron
- Undercounter
- 4-hole (oversized) drilling
- Holes on the right or left side
- Includes hardwood cutting board



CODES/STANDARDS APPLICABLE

Specified model meets or exceeds the following:

- ASME/ANSI A112.19.1M
- IAPMO/UPC
- Canadian Standards Association (CSA)
- State of Massachusetts

COLORS/FINISHES

- 0 White
- Other Refer to Fixtures Price Book for additional colors

Accessories:

- CP Polished Chrome
- 0 White
- NA None Applicable
- Other Refer to Price Book for additional colors

SPECIFIED MODEL:

Model	Description	Colors/Finishes	
K-5882L-4U	4-hole (oversized) sink, left side	<input type="checkbox"/> 0 White	<input type="checkbox"/> Other_____
K-5882R-4U	4-hole (oversized) sink, right side	<input type="checkbox"/> 0 White	<input type="checkbox"/> Other_____
Optional Accessories			
K-6007	Bottom basin rack	<input type="checkbox"/> 0 White	<input type="checkbox"/> Other_____
K-8801	Duostrainer sink strainer	<input type="checkbox"/> CP	<input type="checkbox"/> Other_____

PRODUCT SPECIFICATION:

The undercounter sink shall be 33" in length, and 22" in width. Sink shall be made of cast iron. Sink shall be double compartment. Sink shall be 4-hole (oversized) drilled. Sink holes shall either be on the left or right side. Sink shall include hardwood cutting board. Sink shall be Kohler Model K-5882____-4U-_____.

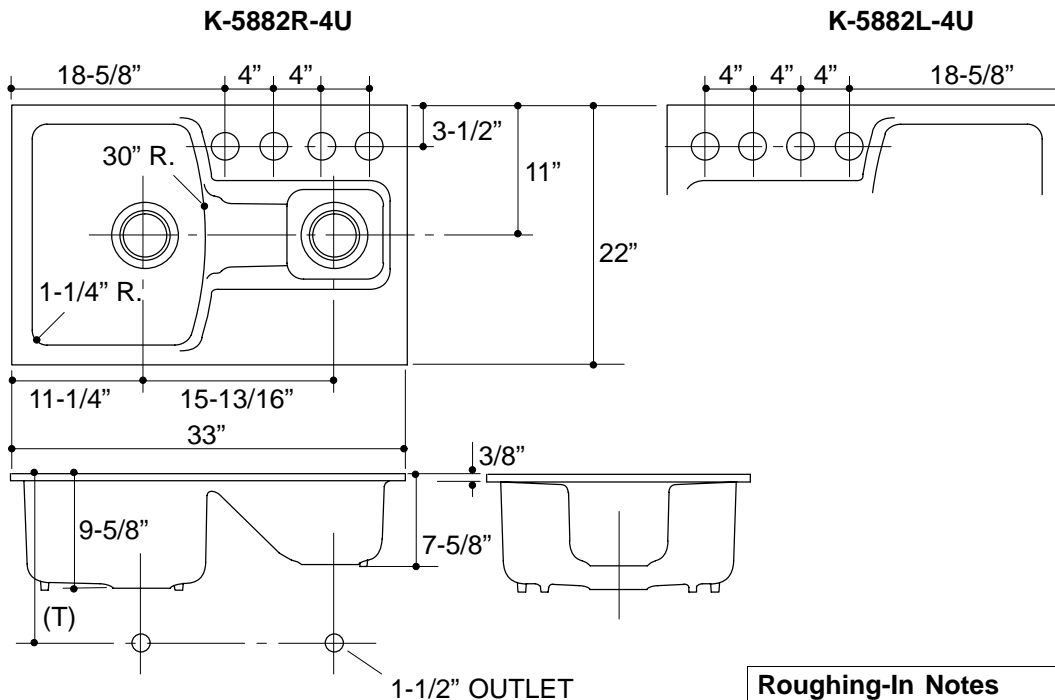
CARDAMOM™

PRODUCT INFORMATION

Fixture*:		basin area	water depth
Sink, small		15" x 8"	6"
Sink, large		15" x 19"	8"
Outlet	3-7/8" D.		
Faucet and spout holes	2-3/8" D.		

* Approximate measurements for comparison only.

Included Components:	
Cutout template	114833-7
Hardwood cutting board	95720



Roughing-In Notes

(T) Drain typically 14".

14

PRODUCT DIAGRAM