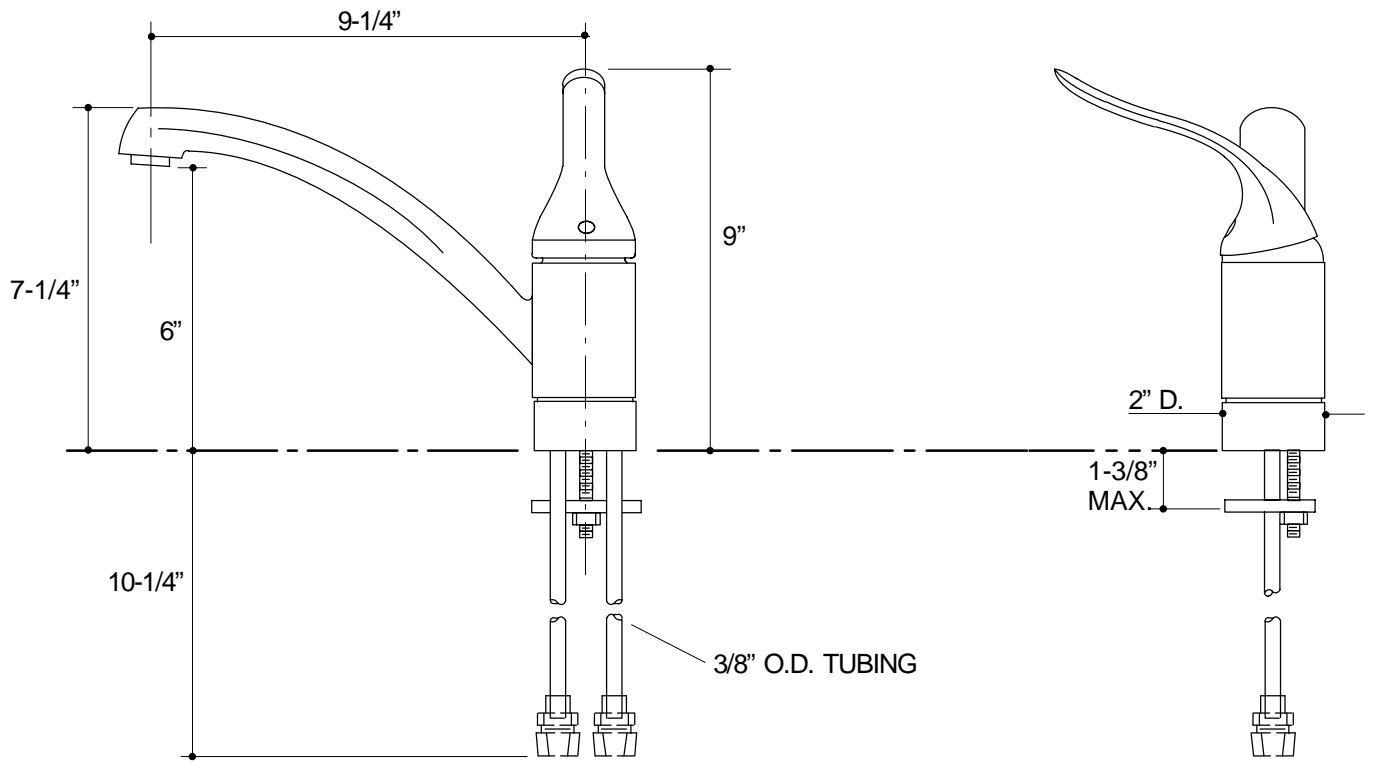


Ordering Information

Applicable sink faucet without spray:	
Faucet with ground joints	K-15075-P
ADA Lever handle is ADA compliant	



14

K-15075-P Coralais™ Kitchen Sink Faucet
114842-1-AA (9619)

NOTES: