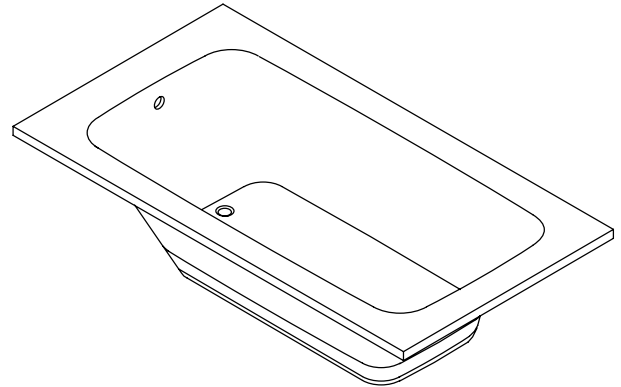


FEATURES

- 60" x 30" x 16"
- Acrylic
- Molded lumbar supports and armrests



CODES/STANDARDS APPLICABLE

Specified model meets or exceeds the following:

- ANSI Z124.1
- IAPMO/UPC

COLORS/FINISHES

- 0 White
- Other Refer to Fixtures Price Book for additional colors

SPECIFIED MODEL:

Model	Description	Colors/Finishes	
K-1102	60" x 30" bath	<input type="checkbox"/> 0 White	<input type="checkbox"/> Other _____
Recommended Accessories			
K-11666	Drain		<input type="checkbox"/> CP
Optional Accessories			
K-1179	Vinyl tiling-in bead (use when wall material contacts any top surface of bath)		<input type="checkbox"/> NA

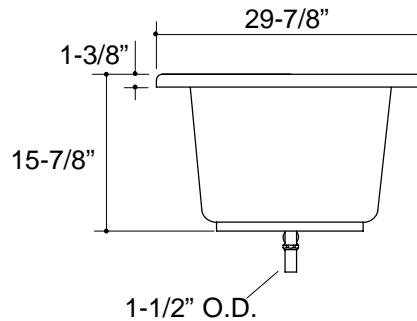
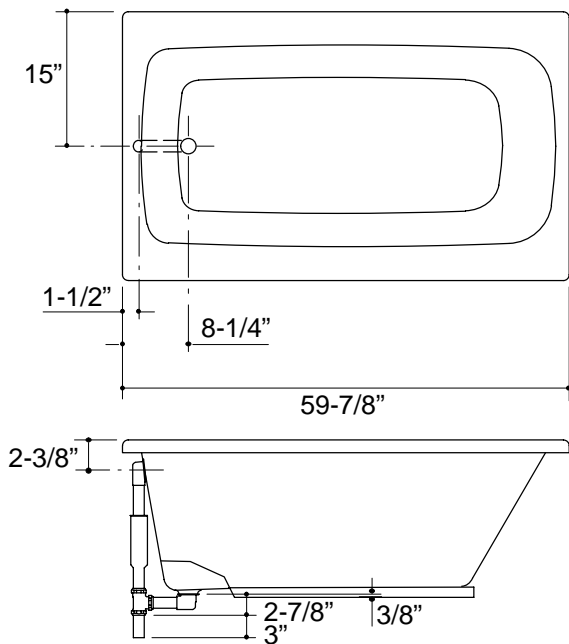
PRODUCT SPECIFICATION:

The bath shall be 60" in length, 30" in width, and 16" in height. Bath shall be made of acrylic. Bath shall have molded lumbar supports and armrests. Bath shall be Kohler Model K-1102-_____.

SYSTEM BASIC 6030

PRODUCT INFORMATION

Fixture*:	basin area	top area	weight
Bathing well	44" x 16"	52" x 23"	40 lbs.
	water depth		
To overflow	12"		
* Approximate measurements for comparison only.			



Roughing-In Notes

No change in measurements if connected with drain illustrated.

Cut-out	58-1/2" x 28-1/2"
---------	-------------------

1.25>132

PRODUCT DIAGRAM