

Ordering Information

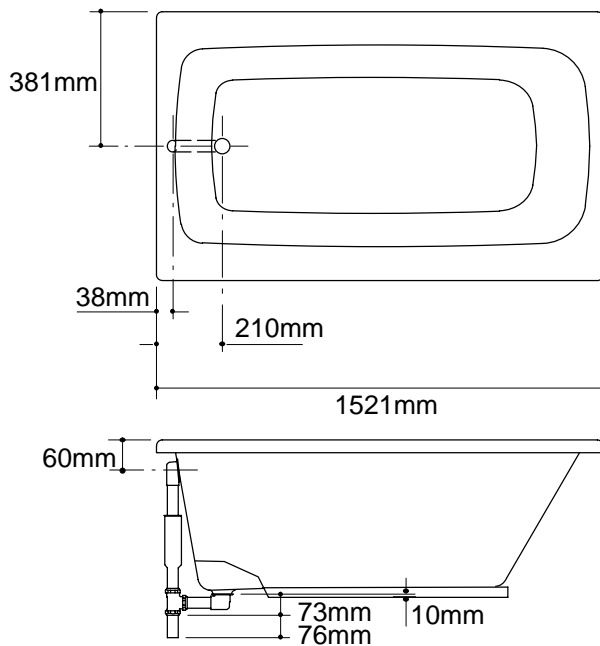
Accessories/hardware:		
Drain	K-11666	recommended
Vinyl tiling-in bead*	K-1179	optional
*Use K-1179 vinyl bead when wall material contacts any top surface of bath.		

Product Information

Fixture*:	basin area	top area	weight
Bathing well	1118 x 406mm	1321 x 584mm	18 Kg.
	water depth	capacity	
To overflow	305mm	144 litres	
* Approximate measurements for comparison only.			

Installation Notes

Refer to installation instructions included with fixture before beginning installation.

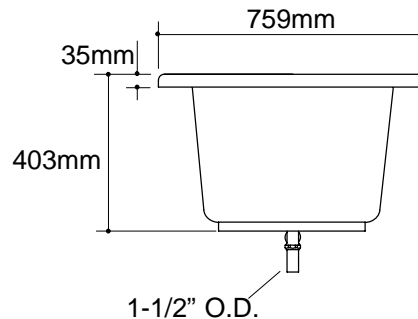


Roughing-In Notes

Fixture conforms to ANSI Standard Z124.1. All dimensions are nominal.

No change in measurements if connected with drain illustrated.

Cut-out	1486 x 724mm
---------	--------------



1.25>132

K-1102 System Basic 6030 Bath
114848-1M-AA (A)

KOHLER®