

### Ordering Information

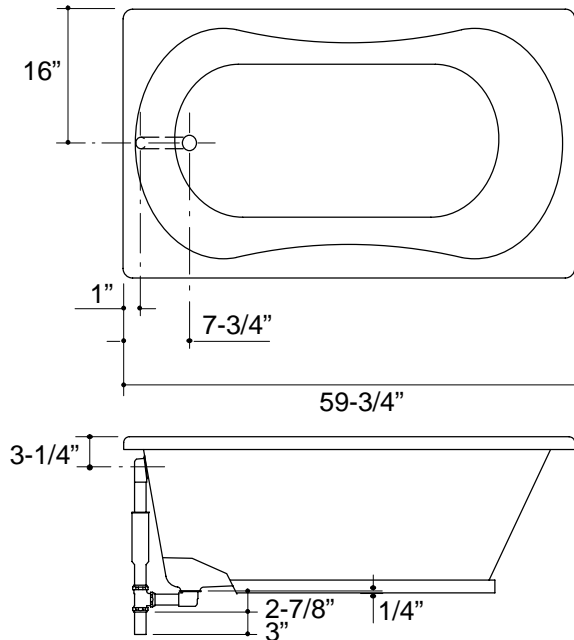
Accessories/hardware:		
Drain	K-11677	recommended
Vinyl tiling-in bead*	K-1179	optional
*Use K-1179 vinyl bead when wall material contacts any top surface of bath.		

### Product Information

Fixture*:	basin area	top area	weight
Bathing well	46" x 20"	55" x 22"	38 lbs.
	water depth	capacity	
To overflow	12-1/2"	49 gal.	
* Approximate measurements for comparison only.			

### Installation Notes

Refer to installation instructions included with fixture before beginning installation.

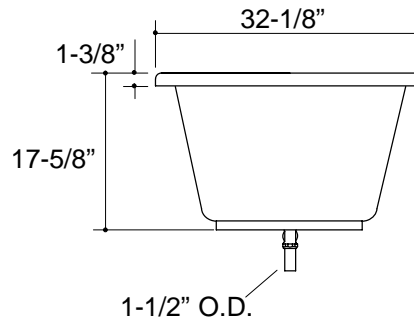


### Roughing-In Notes

Fixture conforms to ANSI Standard Z124.1. All dimensions are nominal.

No change in measurements if connected with drain illustrated.

Cut-out	58-1/4" x 30-1/2"
---------	-------------------



1.25>132

K-1107 System Basic 6032 Bath  
114850-1-CA (A)

**KOHLER®**