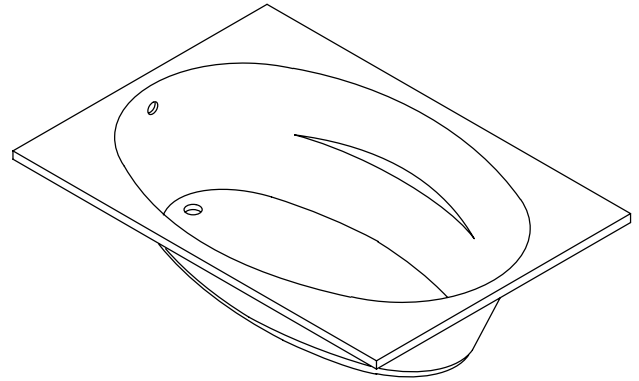


FEATURES

- 59-3/4" x 42" x 17-1/2"
- Acrylic
- Molded lumbar supports and armrests



CODES/STANDARDS APPLICABLE

Specified model meets or exceeds the following:

- ANSI Z124.1
- IAPMO/UPC
- State of Massachusetts

COLORS/FINISHES

- 0 White
- Other Refer to Fixtures Price Book for additional colors

SPECIFIED MODEL:

Model	Description	Colors/Finishes	
K-1127	59-3/4" x 42" bath	<input type="checkbox"/> 0 White	<input type="checkbox"/> Other _____
Recommended Accessories			
K-11677	Drain		<input type="checkbox"/> CP
Optional Accessories			
K-1179	Vinyl tiling-in bead (use when wall material contacts any top surface of bath)		<input type="checkbox"/> NA

PRODUCT SPECIFICATION:

The oval shaped bath shall be 59-3/4" in length, 42" in width, and 17-1/2" in height. Bath shall be made of acrylic. Bath shall have molded lumbar supports and armrests. Bath shall be Kohler Model K-1127-_____.

SYSTEM BASIC 6042

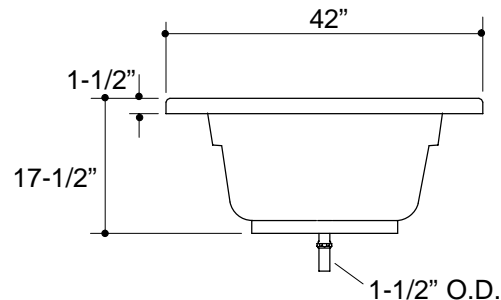
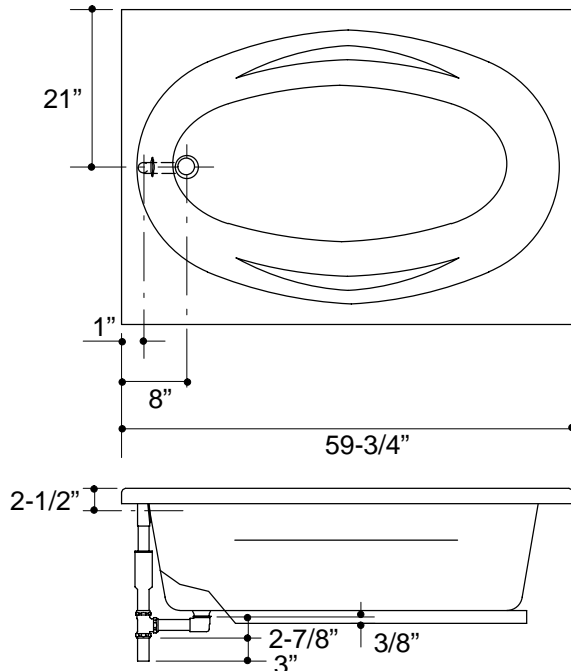
PRODUCT INFORMATION

Fixture*:	basin area	top area	weight
Bathing well	46" x 21"	55" x 31"	52-3/4 lbs.
	water depth	capacity	
To overflow	14"	57 gal.	
* Approximate measurements for comparison only.			

Roughing-In Notes

No change in measurements if connected with drain illustrated.

Cut-out	58-1/4" x 40-1/2"
---------	-------------------



1.25>132

PRODUCT DIAGRAM