

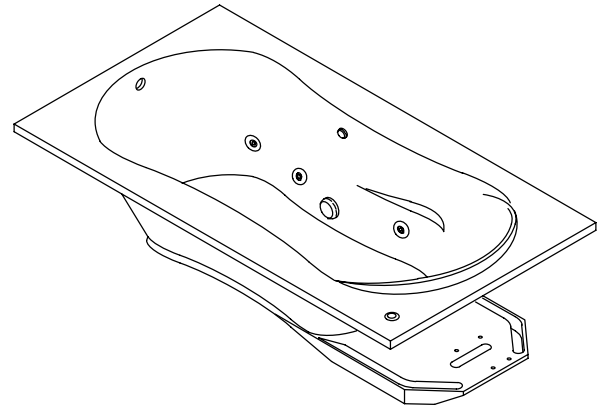
### FEATURES

- 72" x 36" x 19"
- Acrylic
- 6 individually adjustable multi-directional hydro-massage jets
- 3/4 HP pump with air switch and cord with plug
- Molded lumbar supports and armrests
- UL listed

### CODES/STANDARDS APPLICABLE

Specified model meets or exceeds the following:

- ASME/ANSI A112.19.7M
- ANSI Z124.1
- IAPMO/UPC
- Underwriters Laboratories (UL)
- State of Massachusetts



### COLORS/FINISHES

- 0 White
- Other Refer to Fixtures Price Book for additional colors

### SPECIFIED MODEL:

| Model                          | Description  | Colors/Finishes                  |                                      |
|--------------------------------|--|----------------------------------|--------------------------------------|
| K-1157                         | 72" x 36" bath whirlpool   | <input type="checkbox"/> 0 White | <input type="checkbox"/> Other _____ |
| <b>Recommended Accessories</b> |  |                                  |                                      |
| K-11677                        | Drain  |                                  | <input type="checkbox"/> CP          |
| <b>Optional Accessories</b>    |  |                                  |                                      |
| K-1179                         | Vinyl tiling-in bead (use when wall material contacts any top surface of bath) |                                  | <input type="checkbox"/> NA          |

### PRODUCT SPECIFICATION:

The bath whirlpool shall be 72" in length, 36" in width, and 19" in height. Bath whirlpool shall be made of acrylic. Bath whirlpool shall have 6 individually adjustable multi-directional hydro-massage jets, 3/4 HP pump with air switch and cord with plug. Bath whirlpool shall have molded lumbar supports and armrests. Bath whirlpool shall be UL listed. Bath whirlpool shall be Kohler Model K-1157-\_\_\_\_\_.

# SYSTEM BASIC 7236

## REQUIRED ELECTRICAL SERVICE

|   |                     |
|---|---------------------|
| Dedicated circuit required, protected with Class A Ground-Fault Circuit-Interrupter (GFCI): |                     |
| Pump/control  | 120 V., 15 A, 60 Hz |

## PRODUCT INFORMATION

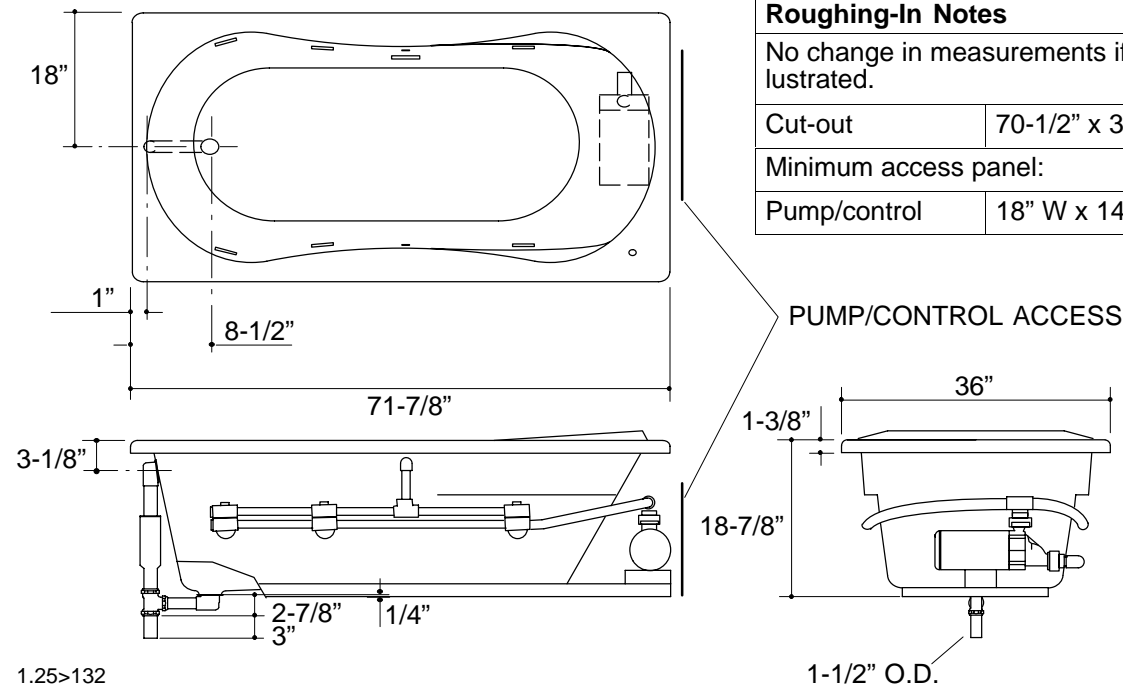
| Fixture*:    | basin area  | top area  | weight  |
|--------------|-------------|-----------|---------|
| Bathing well | 55" x 21"   | 65" x 26" | 66 lbs. |
|              | water depth | capacity  |         |
| To overflow  | 15"         | 72 gal.   |         |

\* Approximate measurements for comparison only.

| Pump:   | HP  | V   | Hz | A   |
|---------|-----|-----|----|-----|
| 1-speed | 3/4 | 120 | 60 | 9.5 |

## INSTALLATION NOTES

Pump is supplied with a grounding type plug-in cord. Locate the outlet behind the whirlpool, and within 24" of the pump.



| Roughing-In Notes  |                   |          |
|--|-------------------|----------|
| No change in measurements if connected with drain illustrated. |                   |          |
| Cut-out  | 70-1/2" x 34-1/2" |          |
| Minimum access panel:  |                   |          |
| Pump/control   | 18" W x 14" H     | required |

1.25>132

## PRODUCT DIAGRAM