

### Ordering Information

|   |         |             |
|---|---------|-------------|
| Accessories/hardware:   |         |             |
| Drain   | K-11677 | recommended |
| Vinyl tiling-in bead*   | K-1179  | optional    |
| *Use K-1179 vinyl bead when wall material contacts any top surface of bath. |         |             |

### Required Electrical Service

|   |                     |
|---|---------------------|
| Dedicated circuit required, protected with Class A Ground-Fault Circuit-Interrupter (GFCI): |                     |
| Pump/control  | 120 V., 15 A, 60 Hz |

### Product Information

|              |              |              |        |
|--------------|--------------|--------------|--------|
| Fixture*:    | basin area   | top area     | weight |
| Bathing well | 1397 x 533mm | 1651 x 660mm | 30 Kg. |
|              | water depth  | capacity     |        |
| To overflow  | 381mm        | 273 litres   |        |

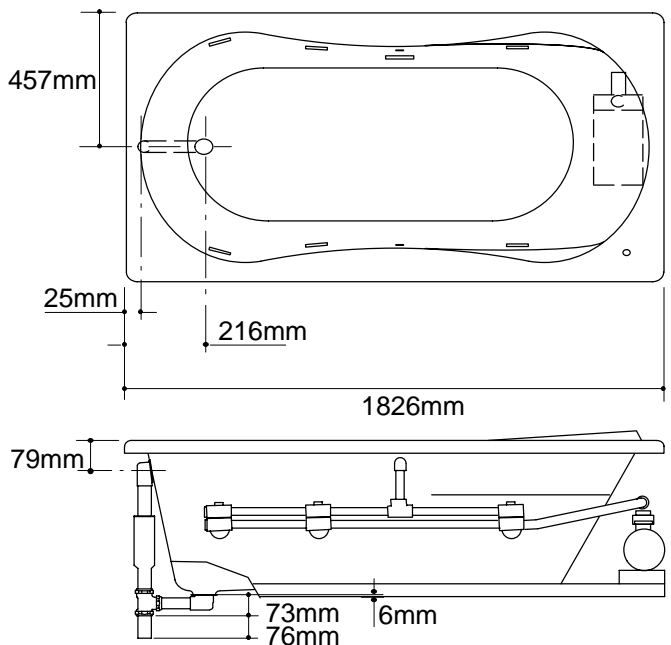
\* Approximate measurements for comparison only.

|         |     |     |    |     |
|---------|-----|-----|----|-----|
| Pump:   | HP  | V   | Hz | A   |
| 1-speed | 3/4 | 120 | 60 | 9.5 |

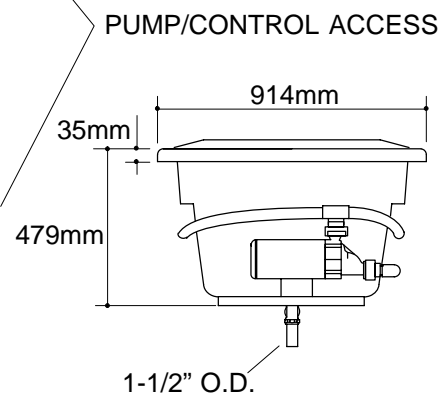
### Installation Notes

Refer to installation instructions included with fixture before beginning installation.

Pump is supplied with a grounding type plug-in cord. Locate the outlet behind the whirlpool, and within 610mm of the pump.



|   |                   |          |
|---|-------------------|----------|
| <b>Roughing-In Notes</b>  |                   |          |
| Fixture conforms to ANSI Standard Z124.1. All dimensions are nominal. |                   |          |
| No change in measurements if connected with drain illustrated.        |                   |          |
| Cut-out   | 1791 x 876mm      |          |
| Minimum access panel:   |                   |          |
| Pump/control  | 457mm W x 356mm H | required |



1.25>132