

### Ordering Information

Accessories/hardware:		
Drain	K-11677	recommended
Vinyl tiling-in bead*	K-1179	optional
*Use K-1179 vinyl bead when wall material contacts any top surface of bath.		

### Required Electrical Service

Dedicated circuit required, protected with Class A Ground-Fault Circuit-Interrupter (GFCI):	
Pump/control	120 V., 15 A, 60 Hz

### Product Information

Fixture*:	basin area	top area	weight
Bathing well	53" x 26"	65" x 34"	70 lbs.
	water depth	capacity	
To overflow	15"	78 gal.	

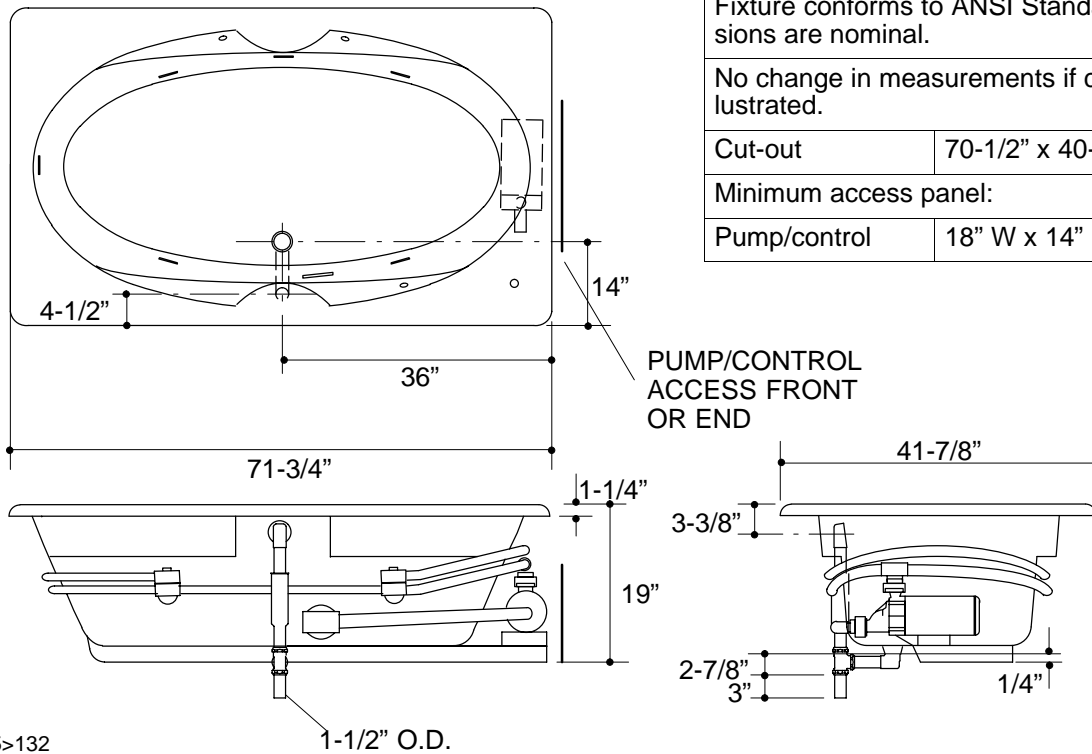
\* Approximate measurements for comparison only.

Pump:	HP	V	Hz	A
1-speed	3/4	120	60	9.5

### Installation Notes

Refer to installation instructions included with fixture before beginning installation.

Pump is supplied with a grounding type plug-in cord. Locate the outlet behind the whirlpool, and within 24" of the pump.



1.25>132

**K-1131** System Basic 7242 Bath Whirlpool  
114857-1-CA (A)

**KOHLER<sup>®</sup>**

### Roughing-In Notes

Fixture conforms to ANSI Standard Z124.1. All dimensions are nominal.

No change in measurements if connected with drain illustrated.

Cut-out 70-1/2" x 40-1/2"

Minimum access panel:

Pump/control 18" W x 14" H required