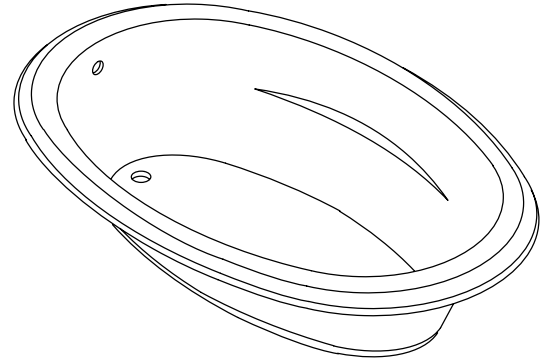


### FEATURES

- 59-1/2" x 39-3/4" x 17-1/2"
- Acrylic
- Oval shape
- Molded lumbar supports and armrests



### CODES/STANDARDS APPLICABLE

Specified model meets or exceeds the following:

- ANSI Z124.1
- CABO/ANSI A117.1
- IAPMO/UPC
- State of Massachusetts

### COLORS/FINISHES

- 0 White
- Other Refer to Fixtures Price Book for additional colors

### SPECIFIED MODEL:

Model	Description	Colors/Finishes	
K-1147	59-1/2" Oval bath	<input type="checkbox"/> 0 White	<input type="checkbox"/> Other _____
Recommended Accessories			
K-11677	Drain		<input type="checkbox"/> CP

### PRODUCT SPECIFICATION:

The oval shaped bath shall be 59-1/2" in length, 39-3/4" in width, and 17-1/2" in height. Bath shall be made of acrylic. Bath shall have molded lumbar supports and armrests. Bath shall be Kohler Model K-1147-\_\_\_\_\_.

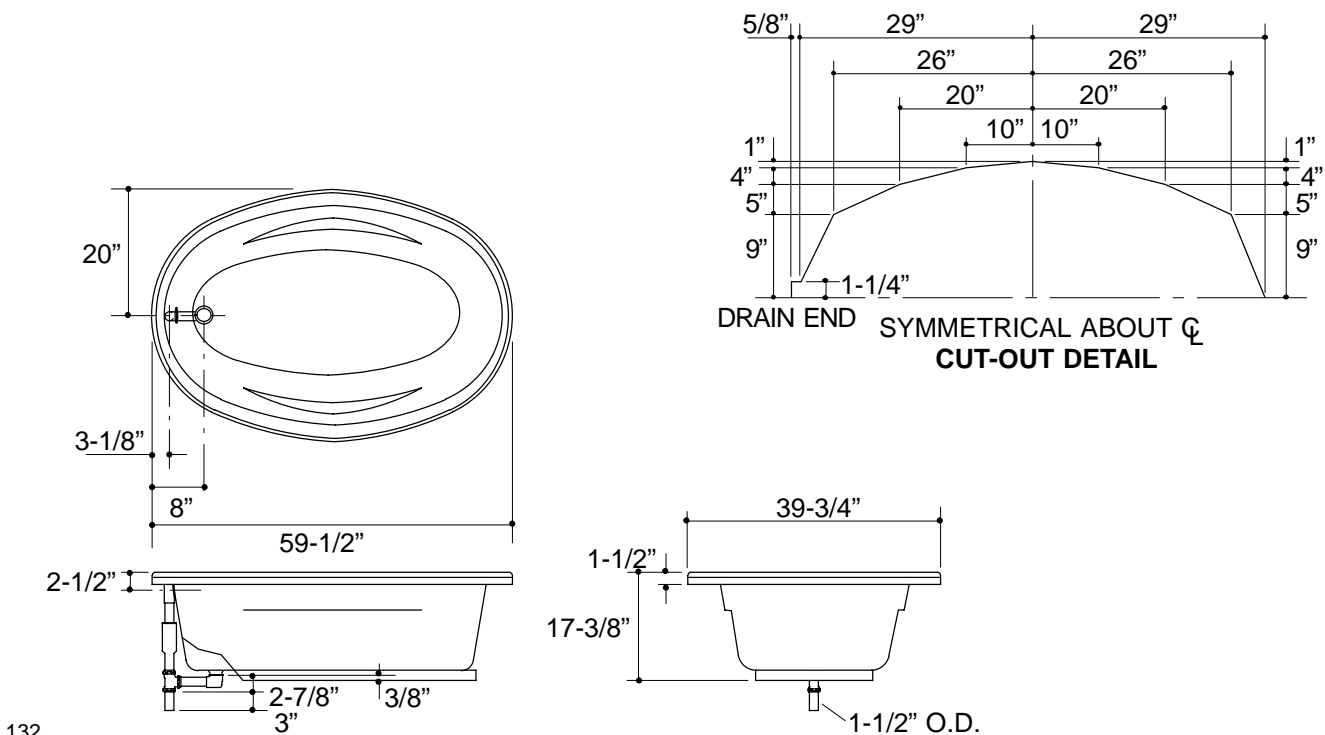
# SYSTEM BASIC 6040 OVAL

## PRODUCT INFORMATION

Fixture*:	basin area	top area	weight
Bathing well	46" x 19"	55" x 29"	46 lbs.
	water depth	capacity	
To overflow	14"	54 gal.	
* Approximate measurements for comparison only.			
Included Components:			
Cutout template		114859-7	

### Roughing-In Notes

No change in measurements if connected with drain illustrated.



132

## PRODUCT DIAGRAM