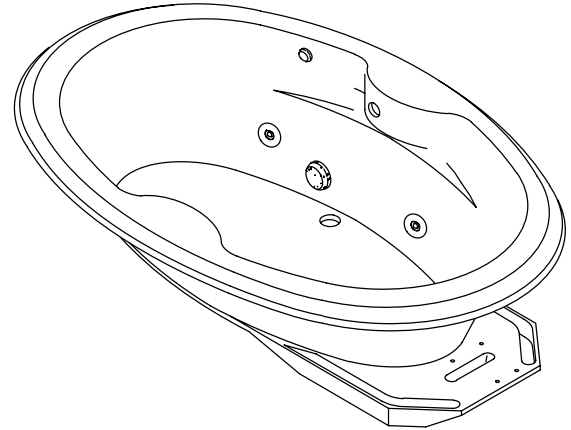


## SYSTEM BASIC 7242 OVAL ACRYLIC BATH WHIRLPOOL

# K-1148

### FEATURES

- 72-1/4" x 42-1/4" x 19"
- Acrylic
- Oval shape
- 6 individually adjustable multi-directional hydro-massage jets
- 3/4 HP pump with air switch and cord with plug
- Molded lumbar supports and armrests
- UL listed



### CODES/STANDARDS APPLICABLE

Specified model meets or exceeds the following:

- ASME/ANSI A112.19.7M
- ANSI Z124.1
- IAPMO/UPC
- Underwriters Laboratories (UL)
- State of Massachusetts

### COLORS/FINISHES

- 0 White
- Other Refer to Fixtures Price Book for additional colors

### SPECIFIED MODEL:

Model	Description	Colors/Finishes	
K-1148	72-1/4" Oval bath whirlpool	<input type="checkbox"/> 0 White	<input type="checkbox"/> Other_____
Recommended Accessories			
K-11677	Drain	<input type="checkbox"/> CP	

### PRODUCT SPECIFICATION:

The oval shaped bath whirlpool shall be 72-1/4" in length, 42-1/4" in width, and 19" in height. Bath whirlpool shall be made of acrylic. Bath whirlpool shall have 6 individually adjustable multi-directional hydro-massage jets, 3/4 HP pump with air switch and cord with plug. Bath whirlpool shall have molded lumbar supports and armrests. Bath whirlpool shall be UL listed. Bath whirlpool shall be Kohler Model K-1148-\_\_\_\_\_.

# SYSTEM BASIC 7242 OVAL

## REQUIRED ELECTRICAL SERVICE

Dedicated circuit required, protected with Class A Ground-Fault Circuit-Interrupter (GFCI):	
Pump/control	120 V., 15 A, 60 Hz

## PRODUCT INFORMATION

Fixture*:	basin area	top area	weight
Bathing well	53" x 26"	65" x 34"	74-1/4 lbs.
	water depth	capacity	
To overflow	15"	78 gal.	

\* Approximate measurements for comparison only.

Pump:	HP	V	Hz	A
1-speed	3/4	120	60	9.5

Included Components:

Cutout template	114861-7
-----------------	----------

## INSTALLATION NOTES

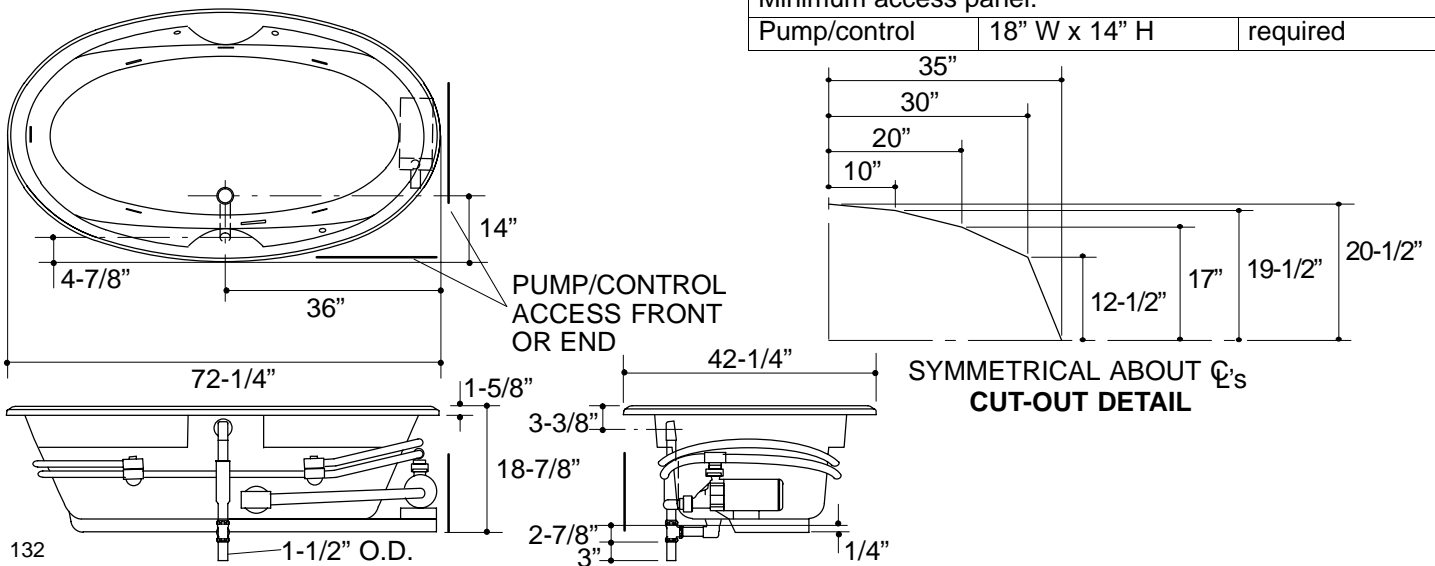
Pump is supplied with a grounding type plug-in cord. Locate the outlet behind the whirlpool, and within 24" of the pump.

### Roughing-In Notes

No change in measurements if connected with drain illustrated.

Minimum access panel:

Pump/control	18" W x 14" H	required
--------------	---------------	----------



## PRODUCT DIAGRAM