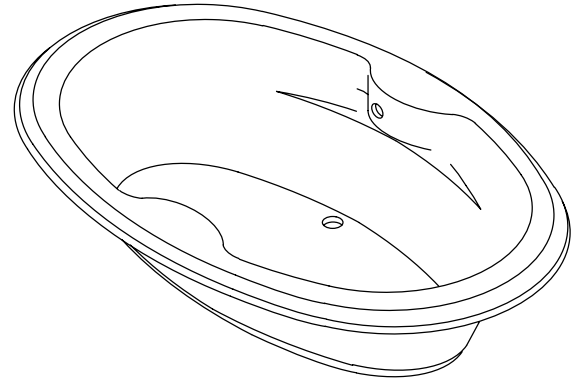


FEATURES

- 72-1/4" x 42-1/4" x 19"
- Acrylic
- Oval shape
- Molded lumbar supports and armrests



CODES/STANDARDS APPLICABLE

Specified model meets or exceeds the following:

- ANSI Z124.1
- CABO/ANSI A117.1
- IAPMO/UPC
- State of Massachusetts

COLORS/FINISHES

- 0 White
- Other Refer to Fixtures Price Book for additional colors

SPECIFIED MODEL:

| Model | Description | Colors/Finishes | |
|-------------------------|-------------------|----------------------------------|--------------------------------------|
| K-1149 | 72-1/4" Oval bath | <input type="checkbox"/> 0 White | <input type="checkbox"/> Other _____ |
| Recommended Accessories | | | |
| K-11677 | Drain | <input type="checkbox"/> CP | |

PRODUCT SPECIFICATION:

The oval shaped bath shall be 72-1/4" in length, 42-1/4" in width, and 19" in height. Bath shall be made of acrylic. Bath shall have molded lumbar supports and armrests. Bath shall be Kohler Model K-1149-_____.

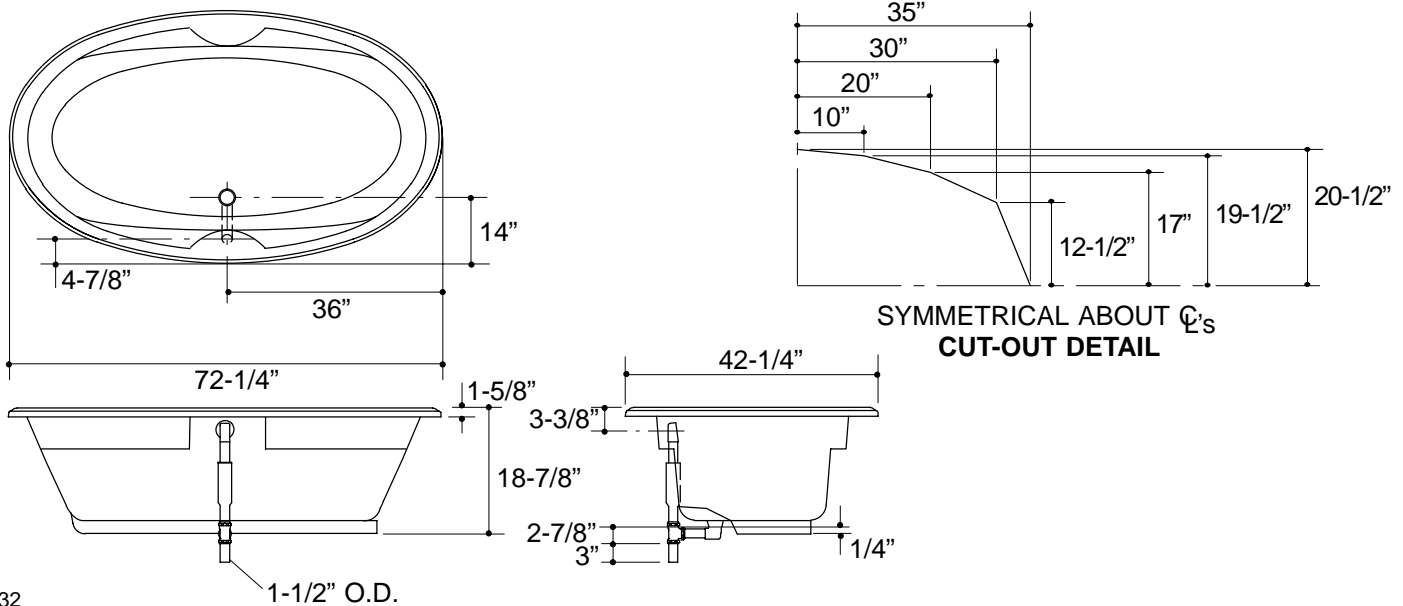
SYSTEM BASIC 7242 OVAL

PRODUCT INFORMATION

| Fixture*: | basin area | top area | weight |
|---|-------------|-----------|-------------|
| Bathing well | 53" x 26" | 65" x 34" | 60-1/2 lbs. |
| | water depth | capacity | |
| To overflow | 15" | 78 gal. | |
| * Approximate measurements for comparison only. | | | |
| Included Components: | | | |
| Cutout template | | 114861-7 | |

Roughing-In Notes

No change in measurements if connected with drain illustrated.



132

PRODUCT DIAGRAM