

Ordering Information

Accessories/hardware:		
Drain	K-11677	recommended
Vinyl tiling-in bead*	K-1179	optional
*Use K-1179 vinyl bead when wall material contacts any top surface of bath.		

Required Electrical Service

Dedicated circuit required, protected with Class A Ground-Fault Circuit-Interrupter (GFCI):	
Pump/control	120 V., 15 A, 60 Hz

Product Information

Fixture*:	basin area	top area	weight
Bathing well	1245 x 991mm	1575 x 1194mm	40 Kg.
	water depth	capacity	
To overflow	394mm	363 litres	

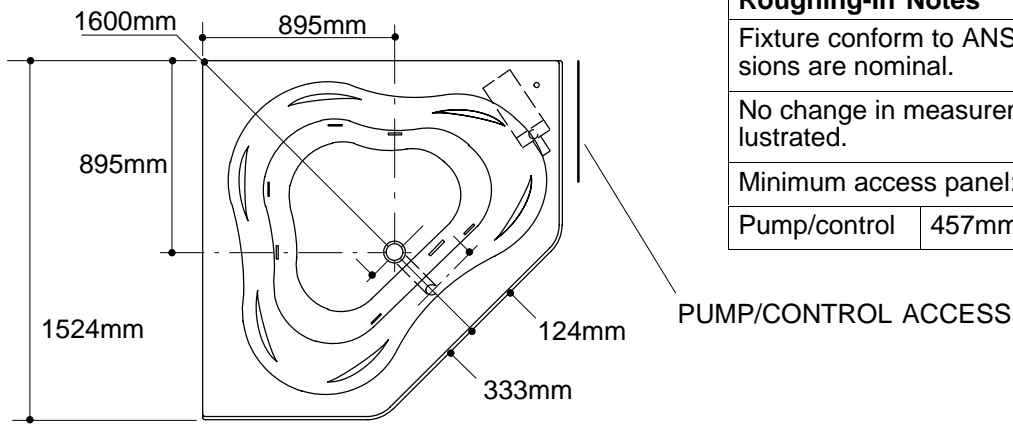
* Approximate measurements for comparison only.

Pump:	HP	V	Hz	A
1-speed	3/4	120	60	9.5

Installation Notes

Refer to installation instructions included with fixture before beginning installation.

Pump is supplied with a grounding type plug-in cord. Locate the outlet behind the whirlpool, and within 610mm of the pump.



Roughing-In Notes

Fixture conform to ANSI Standard Z124.1. All dimensions are nominal.

No change in measurements if connected with drain illustrated.

Minimum access panel:

Pump/control	457mm W x 356mm H	required
--------------	-------------------	----------

