

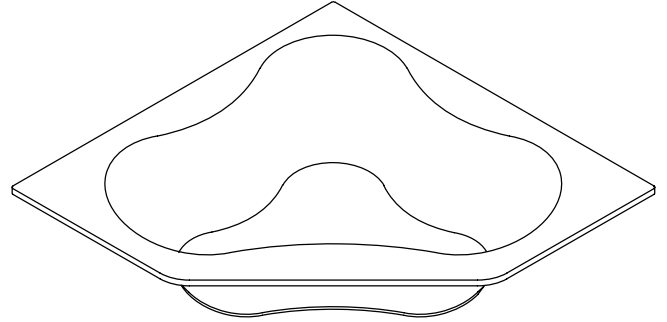
FEATURES

- 60" x 60" x 20-1/4"
- Acrylic
- Molded lumbar supports and armrests
- For corner installation

CODES/STANDARDS APPLICABLE

Specified model meets or exceeds the following:

- ANSI Z124.1
- CABO/ANSI A117.1
- IAPMO/UPC
- State of Massachusetts



COLORS/FINISHES

- 0 White
- Other Refer to Fixtures Price Book for additional colors

SPECIFIED MODEL:

Model	Description	Colors/Finishes	
K-1145	60" x 60" bath	<input type="checkbox"/> 0 White	<input type="checkbox"/> Other _____
Recommended Accessories			
K-11677	Drain		<input type="checkbox"/> CP
Optional Accessories			
K-1179	Vinyl tiling-in bead (use when wall material contacts any top surface of bath)		<input type="checkbox"/> NA

PRODUCT SPECIFICATION:

The bath shall be 60" in length, 60" in width, and 20-1/4" in height. Bath shall be made of acrylic. Bath shall have molded lumbar supports and armrests. Bath shall be for corner installation. Bath shall be Kohler Model K-1145-_____.

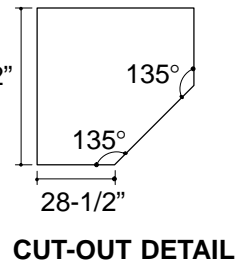
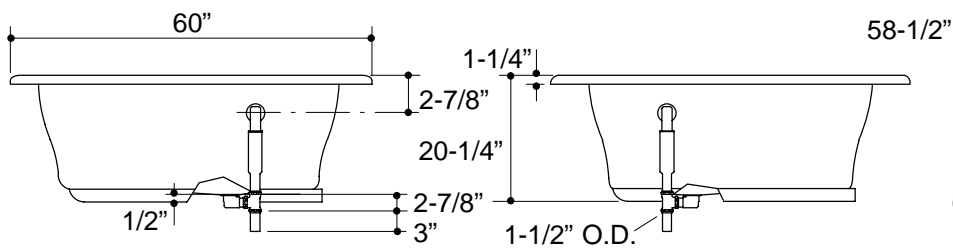
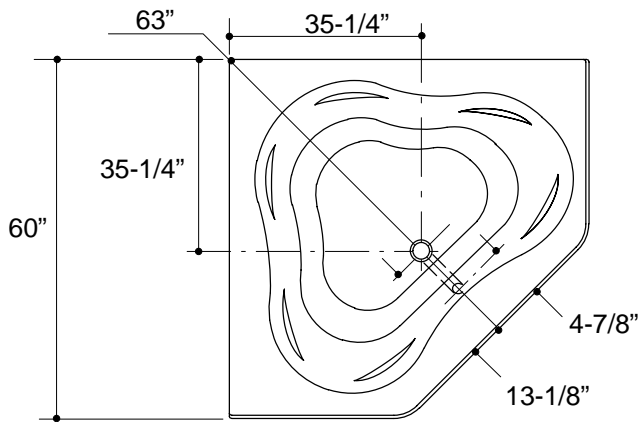
SYSTEM BASIC 6060 CORNER

PRODUCT INFORMATION

Fixture*:	basin area	top area	weight
Bathing well	49" x 39"	62" x 47"	71 lbs.
	water depth	capacity	
To overflow	15-1/2"	96 gal.	
* Approximate measurements for comparison only.			

Roughing-In Notes

No change in measurements if connected with drain illustrated.



132

PRODUCT DIAGRAM