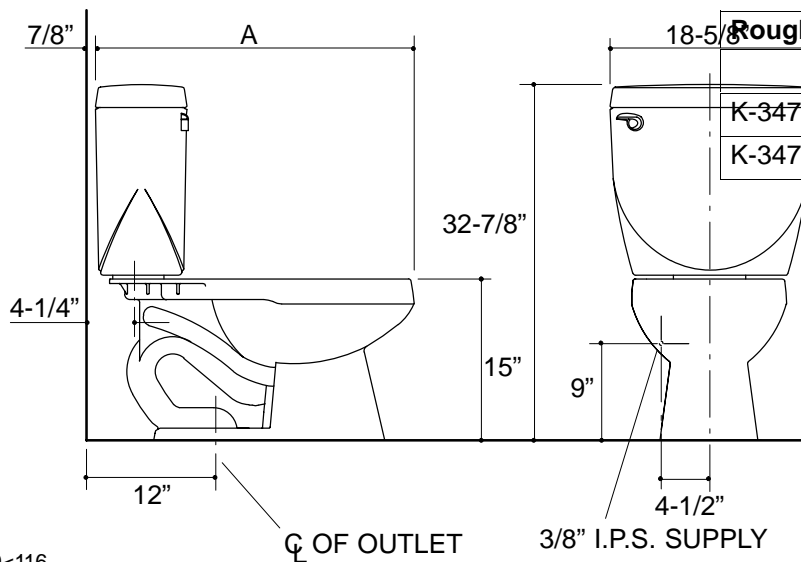


Ordering Information

Applicable toilet:		
2-piece toilet with elongated bowl		
with standard tank	K-3471-K	shown
with insuliner tank	K-3471-KU	shown
2-piece toilet with round bowl bowl		
with standard tank	K-3472-K	not shown
with insuliner tank	K-3472-KU	not shown
Accessories/hardware:		
3/8" supply	K-7637	recommended
Floor bolts (pr.)	21401	recommended
Seat for K-3471-K and K-3471-KU		
Lustra	K-4652	recommended
French Curve	K-4653	recommended
Seat for K-3472-K and K-3472-KU		
Lustra	K-4662	recommended

Product Information

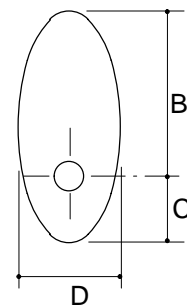
Fixture:	
Gallons per flush	1.6 gallons
Passageway	1-3/4"
Water depth from rim	6-3/4"
Seat post hole centers	5-1/2"
Included Components:	
Bowl, K-3471-K and K-3471-KU	K-4236-AB
Bowl, K-3472-K and K-3472-KU	K-4237-AB
Tank	K-4591-K/KU
Tank cover	80576
Trip lever	84128
Bolt cap accessory pack	52048
Tank accessory pack	73062



Roughing-In Notes

	A	B	C	D
K-3471-K/KU	29-1/2"	15-5/8"	6-1/8"	9-1/2"
K-3472-K/KU	27-1/2"	14-1/8"	6-3/16"	9-3/4"

FRONT OF BOWL



.9<116