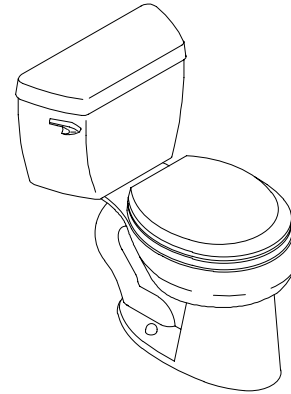


FEATURES

- 12" rough-in
- Vitreous china
- Round front bowl
- 1.6 gpf
- 2" glazed trapway
- Combination toilet
- Includes polished chrome trip lever
- Less seat and supply
- With right-hand trip lever (-RA)
- With bedpan lugs (-L)
- With Insuliner® insulated tank lining (-U)
- With tank cover locks (-T)



CODES/STANDARDS APPLICABLE

Specified model meets or exceeds the following:

- ASME/ANSI A112.19.2M
- ASME/ANSI A112.19.6M
- Energy Policy Act of 1992 (EPACT)
- IAPMO/UPC
- Canadian Standards Association (CSA)
- States of Massachusetts, New York, & Texas
- Cities of Los Angeles, CA

COLORS/FINISHES

- 0 White
- Other Refer to Fixtures Price Book for additional colors

Accessories:

- 0 White
- CP Polished Chrome
- PB Polished Brass
- Other Refer to Fixtures Price Book for additional colors

SPECIFIED MODEL:

Model	Description	Colors/Finishes	
K-3423	Round front bowl toilet (left-hand trip lever)	<input type="checkbox"/> 0 White	<input type="checkbox"/> Other_____
K-3423-T	Toilet with tank cover locks (left-hand trip lever)	<input type="checkbox"/> 0 White	<input type="checkbox"/> Other_____
K-3423-U	Toilet with Insuliner tank (left-hand trip lever)	<input type="checkbox"/> 0 White	<input type="checkbox"/> Other_____
K-3423-UT	Toilet with Insuliner tank & tank cover locks (LH trip lever)	<input type="checkbox"/> 0 White	<input type="checkbox"/> Other_____
K-4277-L & K-4620	Toilet with bed pan lugs (left-hand trip lever)	<input type="checkbox"/> 0 White	<input type="checkbox"/> Other_____
K-3423-RA	Round front bowl toilet (right-hand trip lever)	<input type="checkbox"/> 0 White	<input type="checkbox"/> Other_____
K-3423-TR	Toilet with tank cover locks (right-hand trip lever)	<input type="checkbox"/> 0 White	<input type="checkbox"/> Other_____
K-3423-UR	Toilet with Insuliner tank (right-hand trip lever)	<input type="checkbox"/> 0 White	<input type="checkbox"/> Other_____
K-4277-L & K-4620-RA	Toilet with bed pan lugs (right-hand trip lever)	<input type="checkbox"/> 0 White	<input type="checkbox"/> Other_____

Recommended Accessories			
K-4662	Lustra™ seat with cover	<input type="checkbox"/> 0 White	<input type="checkbox"/> Other_____
K-4662-A	Lustra™ seat with cover (includes anti-microbial agent)	<input type="checkbox"/> 0 White	
K-4686	Primary™ open front seat	<input type="checkbox"/> 0 White	<input type="checkbox"/> Other_____
K-7637	Angle supply with stop	<input type="checkbox"/> CP	<input type="checkbox"/> PB <input type="checkbox"/> Other_____

Optional Accessories on Page 2

PRODUCT SPECIFICATION:

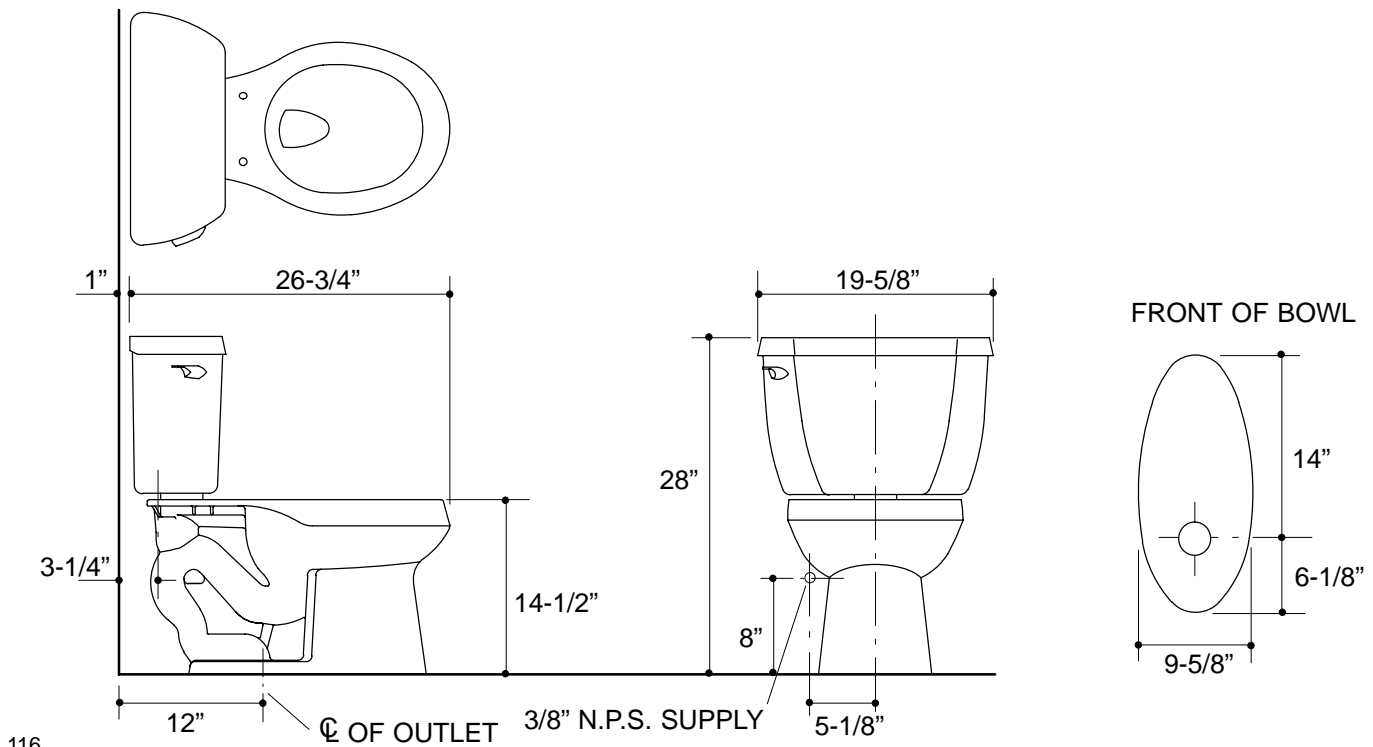
The round front combination toilet shall be 12" rough-in. Toilet shall be made of vitreous china. Toilet shall be 1.6 gpf. Toilet shall have a 2" glazed trapway. Toilet shall include polished chrome trip lever. Toilet shall be less seat and supply. Toilet shall have right-hand trip lever. Toilet shall have bed pan lugs (-L). Toilet shall have Insuliner® insulated tank lining (-U). Toilet shall have tank cover locks (-T). Toilet shall be Kohler Model K-3423-_____-_____.

Optional Accessories

K-9404-L	Trip lever, left-hand (non-CP)	<input type="checkbox"/> PB	<input type="checkbox"/> Other _____
K-9404-R	Trip lever, right-hand (non-CP)	<input type="checkbox"/> PB	<input type="checkbox"/> Other _____

PRODUCT INFORMATION

Fixture:	
Configuration	2-piece, round front
Gallons per flush	1.6
Passageway	2"
Water depth from rim	6"
Seat post hole centers	5-1/2"
Included Components:	
Bowl	K-4277
Tank	K-4620
Tank cover	84635
Trip lever	K-9404



PRODUCT DIAGRAM