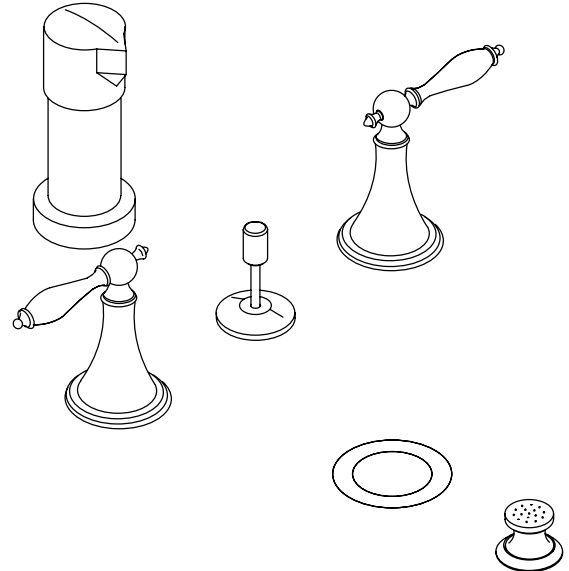


FEATURES

- Brass construction
- Flexible connections
- Brass valve bodies
- Quarter-turn washerless ceramic disc valves
- Pop-up drain with lift rod and tailpiece
- Traditional handles
- Fixture-mount transfer valve/vacuum breaker
- Vertical spray
- Available with contrasting or matching finish lift knob, drain, and handle caps and ends



CODES/STANDARDS APPLICABLE

Specified model meets or exceeds the following:

- ASME/ANSI A112.18.1M
- CSA B125
- IAPMO/UPC
- Listed in the State of Michigan

COLORS/FINISHES

- CP Polished Chrome
- PB Polished Brass
- Other Refer to Faucets Price Book for additional finishes

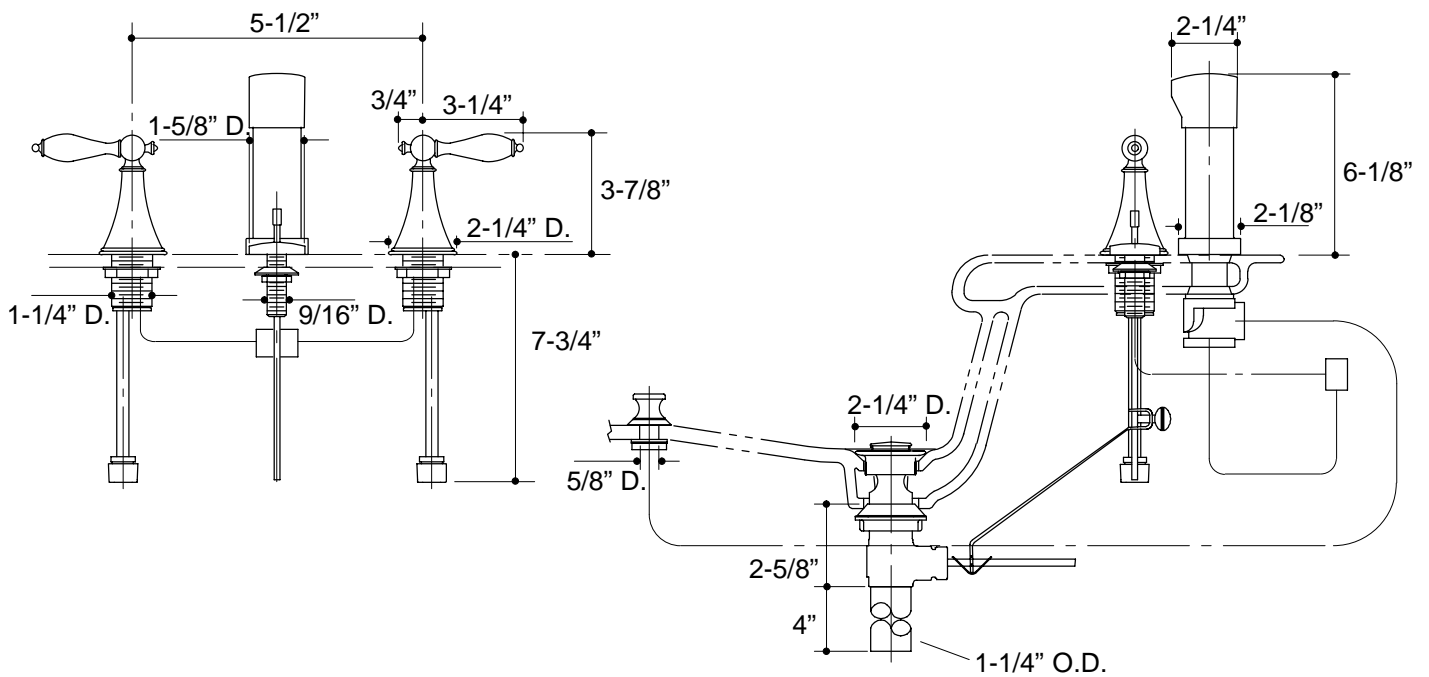
SPECIFIED MODEL:

Model	Description			
K-316-4F	With Biscuit Accents	<input type="checkbox"/> CP	<input type="checkbox"/> PB	
K-316-4M	With Polished Finish Accents	<input type="checkbox"/> CP	<input type="checkbox"/> PB	<input type="checkbox"/> Other_____
K-316-4P	With White Accents	<input type="checkbox"/> CP	<input type="checkbox"/> PB	

PRODUCT SPECIFICATION:

Two-handle bidet faucet shall be of brass construction. Faucet shall feature brass valve bodies. Faucet shall feature quarter-turn washerless ceramic disc valves, assuring positive handle stop positioning. Product shall include flexible connections, pop-up drain and tailpiece, traditional handles, fixture-mount transfer valve/vacuum breaker, and vertical spray. Faucet shall be Kohler Model K-316-_____-_____.

FINIAL TRADITIONAL



532

PRODUCT DIAGRAM