

**SHOWER FAUCET TRIM
K-P15111
PROJECT PACK
ALSO K-P15700-K**

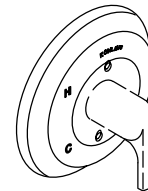
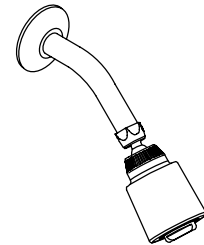
FEATURES

- Metal construction
- Available with lever or sculptured acrylic handle
- Packaged 12 per case

CODES/STANDARDS APPLICABLE

Specified model meets or exceeds the following:



- ASME/ANSI A112.18.1M
- CSA B125
- IAPMO/UPC

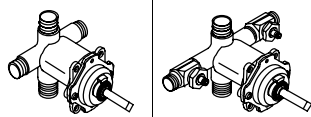


COLORS/FINISHES

- CP Polished Chrome
- PB Polished Brass
- Other Refer to Faucets Price Book for additional finishes

SPECIFIED MODEL: For complete faucet, both faucet trim and mixing valve must be specified.

Model	Description						
K-P15111-4	With Lever Handle	<input type="checkbox"/> CP	<input type="checkbox"/> PB	<input type="checkbox"/> Other_____			
K-P15111-7	With Sculptured Acrylic Handle				<input type="checkbox"/> CP	<input type="checkbox"/> PB	<input type="checkbox"/> Other_____

Required Accessory			
K-P15700-K	Coralais Non-Pressure Balancing Mixing Valve, Less Stops	<input type="checkbox"/> NA	
K-P15700-KS	Coralais Non-Pressure Balancing Mixing Valve, With Stops		<input type="checkbox"/> NA

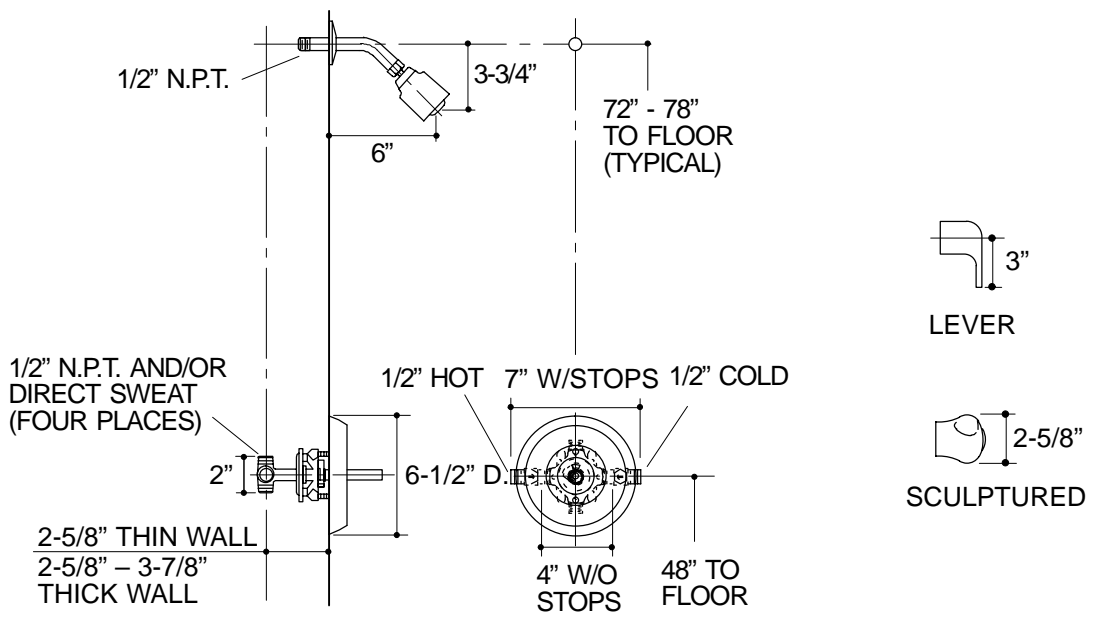
Optional Accessory on Page 2.

PRODUCT SPECIFICATION:

Non-pressure balancing single-control shower faucet trim shall be of metal construction. Product shall include showerhead with arm and flange, and faceplate with lever or sculptured acrylic handle. Faucet trim shall be Kohler Model K-P15111-_____-_____- and mixing valve shall be Kohler Model K-P15700-_____-NA. Project pack valves and trim are packaged twelve per case.

CORALAIS™

Optional Accessory		
K-15145	Fiberglass Installation Plate	☐NA



332

PRODUCT DIAGRAM