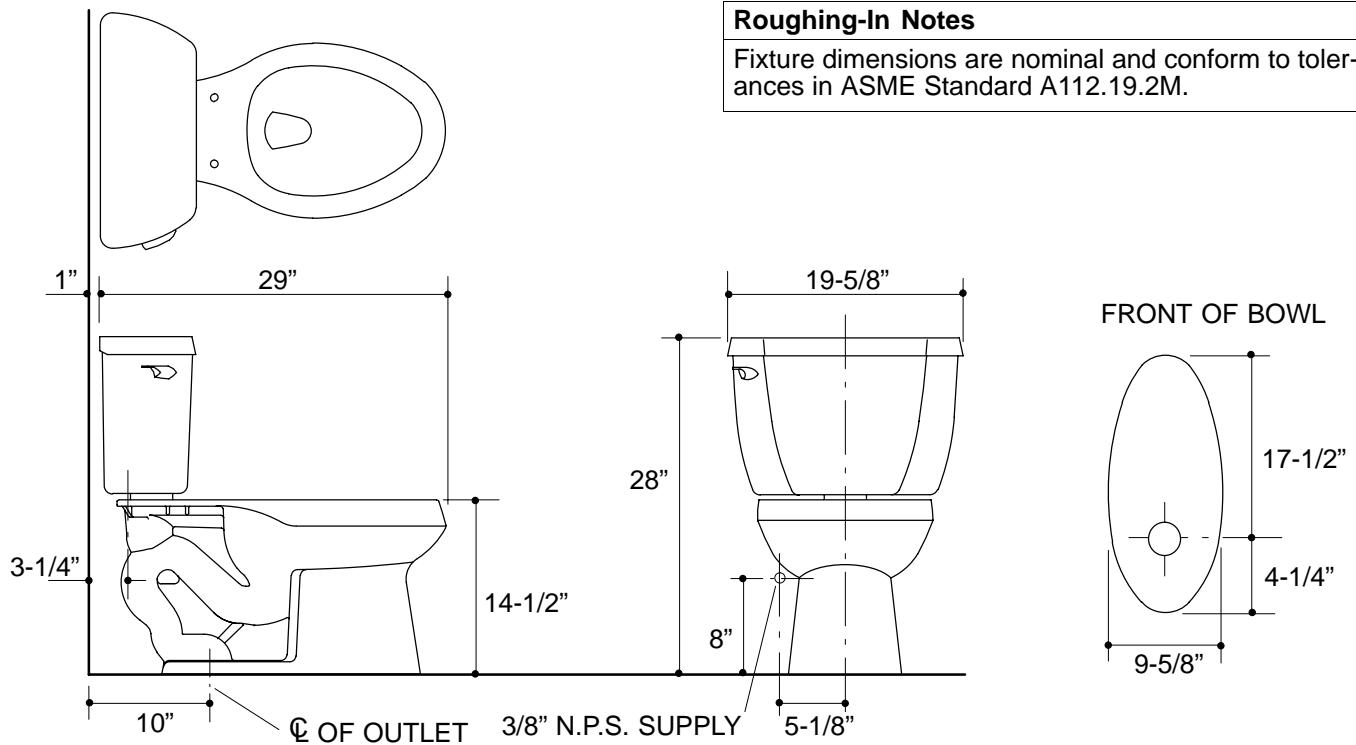


Ordering Information

| | | |
|-------------------------------------|-----------|-------------|
| Applicable toilet: | | |
| With standard tank | K-3432 | shown |
| With insuliner | K-3432-U | not shown |
| With locks | K-3432-T | not shown |
| With cover locks and insuliner tank | K-3432-UT | not shown |
| Accessories/hardware: | | |
| 3/8" supply | K-7637 | recommended |
| Floor bolts (pr.) | 21401 | recommended |
| Seat | K-4652 | recommended |

Product Information

| | |
|------------------------|--------------------|
| Fixture: | |
| Configuration | 2-piece, elongated |
| Gallons per flush | 1.6 |
| Passageway | 2" |
| Water depth from rim | 6" |
| Seat post hole centers | 5-1/2" |
| Included Components: | |
| Bowl | K-4273 |
| Tank | K-4620 |
| Tank cover | 84635 |
| Trip lever | K-9404 |



Roughing-In Notes
Fixture dimensions are nominal and conform to tolerances in ASME Standard A112.19.2M.