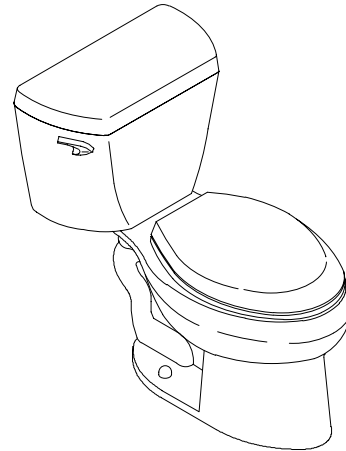


FEATURES

- 14" rough-in
- Vitreous china
- Elongated bowl
- 1.6 gpf
- 2" glazed trapway
- Includes polished chrome trip lever
- Combination toilet
- Less seat and supply
- With Insuliner® insulated tank lining (-U)
- With tank cover locks (-T)



CODES/STANDARDS APPLICABLE

Specified model meets or exceeds the following:

- ASME/ANSI A112.19.2M
- ASME/ANSI A112.19.6M
- Energy Policy Act of 1992 (EPACT)
- IAPMO/UPC

COLORS/FINISHES

- 0 White
- Other Refer to Fixtures Price Book for additional colors

Accessories:

- 0 White
- CP Polished Chrome
- PB Polished Brass
- Other Refer to Fixtures Price Book for additional colors

SPECIFIED MODEL:

Model	Description	Colors/Finishes	
K-3438	Elongated bowl toilet	<input type="checkbox"/> 0 White	<input type="checkbox"/> Other_____
K-3438-T	Toilet with tank cover locks	<input type="checkbox"/> 0 White	<input type="checkbox"/> Other_____
K-3438-U	Toilet with Insuliner tank	<input type="checkbox"/> 0 White	<input type="checkbox"/> Other_____
K-3438-UT	Toilet with tank cover locks and insuliner tank	<input type="checkbox"/> 0 White	<input type="checkbox"/> Other_____

Recommended Accessories			
K-4652	Lustra™ seat with cover	<input type="checkbox"/> 0 White	<input type="checkbox"/> Other_____
K-4652-A	Lustra™ seat with cover (includes anti-microbial agent)	<input type="checkbox"/> 0 White	
K-7637	Angle supply with stop	<input type="checkbox"/> CP	<input type="checkbox"/> PB <input type="checkbox"/> Other_____
Optional Accessories			
K-9404-L	Trip lever (non-CP)	<input type="checkbox"/> PB	<input type="checkbox"/> Other_____

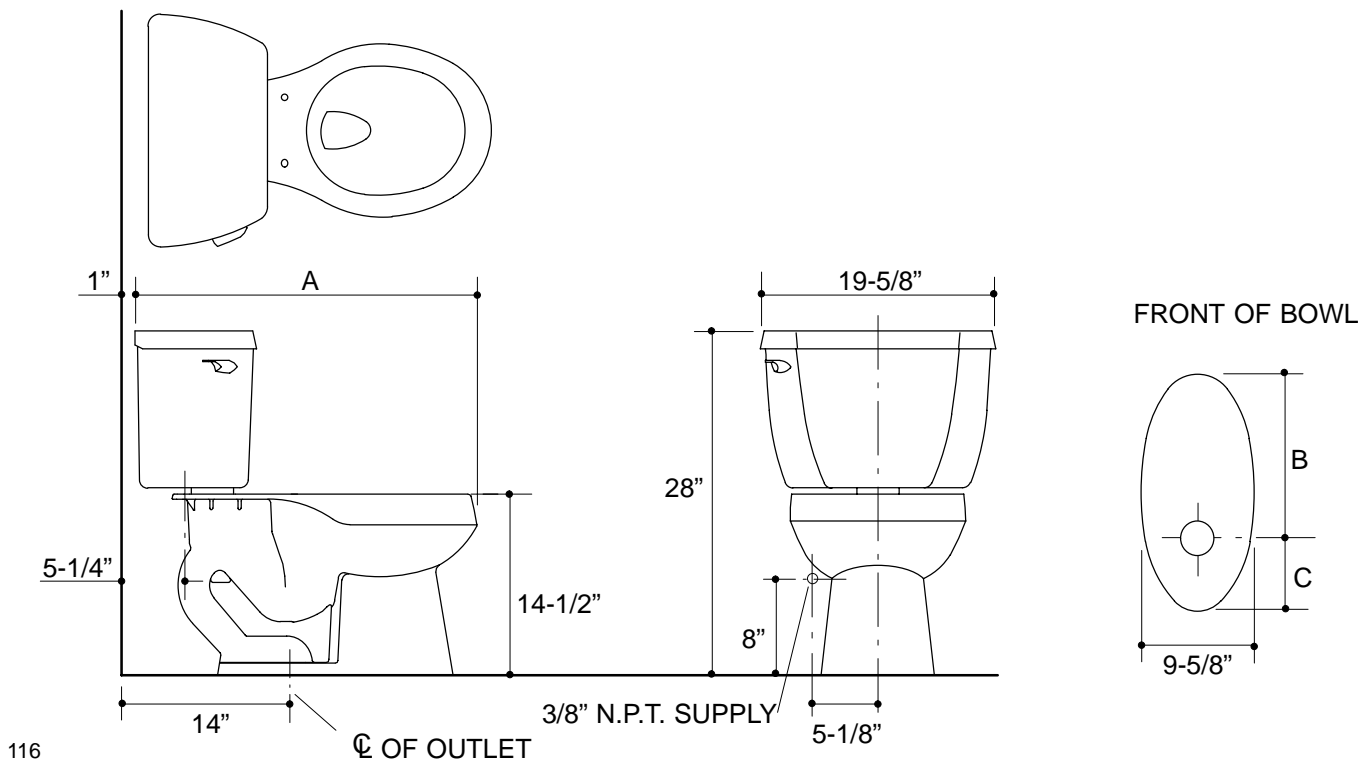
PRODUCT SPECIFICATION:

The elongated combination toilet shall be 14" rough-in. Toilet shall be made of vitreous china. Toilet shall be 1.6 gpf. Toilet shall have 2" glazed trapway. Toilet shall include polished chrome trip lever. Toilet shall be less seat and supply. Toilet shall have Insuliner® insulated tank lining (-U). Toilet shall have tank cover locks (-T). Toilet shall be Kohler Model K-3438-_____-_____.

PRODUCT INFORMATION

Fixture:	
Gallons per flush	1.6
Passageway	2"
Water depth from rim	6"
Seat post hole centers	5-1/2"
Included Components:	
Bowl for K-3438	K-4276
Tank	K-4621
Tank cover	84095
Trip lever	K-9404

Roughing-In Notes			
	A	B	C
K-3438	31"	16"	5-5/8"



PRODUCT DIAGRAM