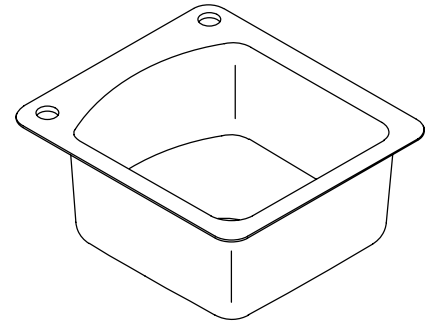


### SELF-RIMMING ENTERTAINMENT SINK

# K-5847, K-5847L K-5847R

#### FEATURES

- 18-3/4" x 20-7/8"
- Cast iron
- Self-rimming
- Single compartment
- 2-hole (K-5847-2), or single-hole (K-5847L-1 or K-5847R-1) drilling
- Single-hole on left or right



#### CODES/STANDARDS APPLICABLE

Specified model meets or exceeds the following:

- ASME/ANSI A112.19.1M
- IAPMO/UPC
- Canadian Standards Association (CSA)
- State of Massachusetts

#### COLORS/FINISHES

- 0 White
- Other Refer to Fixtures Price Book for additional colors

#### Accessories:

- 0 White
- Other Refer to Price Book for additional colors
- NA None Applicable

#### SPECIFIED MODEL:

Model	Description	Colors/Finishes	
K-5847-2	2-hole sink	<input type="checkbox"/> 0 White	<input type="checkbox"/> Other_____
K-5847L-1	Single-hole sink, left side	<input type="checkbox"/> 0 White	<input type="checkbox"/> Other_____
K-5847R-1	Single-hole sink, right side	<input type="checkbox"/> 0 White	<input type="checkbox"/> Other_____

Optional Accessories			
K-3294	Hardwood cutting board	<input type="checkbox"/> NA	
K-6009	Wire rack	<input type="checkbox"/> 0 White	<input type="checkbox"/> Other_____

#### PRODUCT SPECIFICATION:

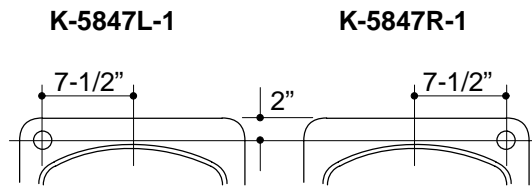
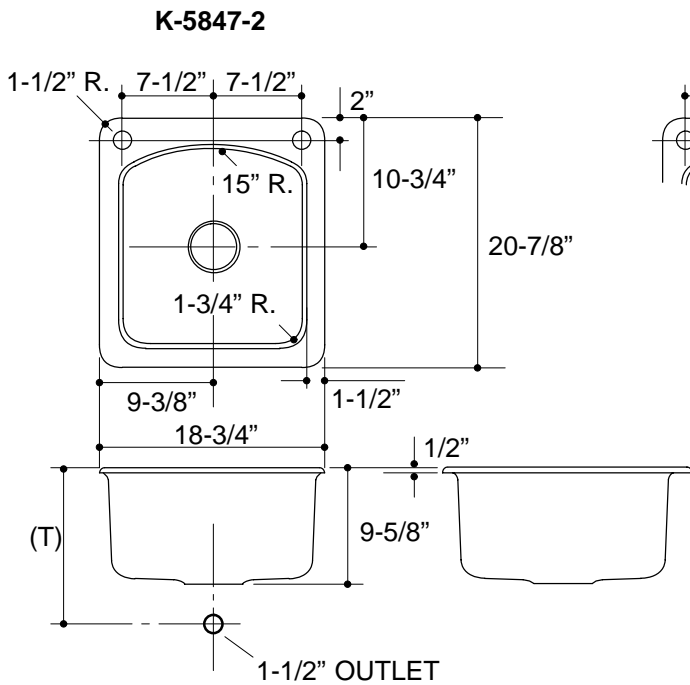
The self-rimming entertainment sink shall be 18-3/4" in length, and 20-7/8" in width. Sink shall be made of cast iron. Sink shall be single compartment. Sink shall be 2-hole (K-5847-2, or single-hole (K-5847L-1 or K-5847R-1) drilled. Sink single holes shall either be on left or right side. Sink shall be Kohler Model K-5847-\_\_\_\_\_-\_\_\_\_\_.

# NAPA

## PRODUCT INFORMATION

Fixture*:		basin area	water depth
Sink		16" x 17"	9"
Outlet	3-7/8" D.		
Faucet hole	1-3/8" D.		

\* Approximate measurements for comparison only.



### Roughing-In Notes

(T) Drain typically 13-1/2".

Cutout 17-1/2" x 19-5/8" with 1" radius corners.

## PRODUCT DIAGRAM