

Ordering Information

Applicable product:		
Three-hole sink, Right side	K-5881R-3	shown
Four-hole sink, Right side	K-5881R-4	not shown
Three-hole sink, Left side	K-5881L-3	not shown
Four-hole sink, Left side	K-5881L-4	not shown
Accessories/hardware:		
Bottom basin rack	K-6007	optional

Product Information

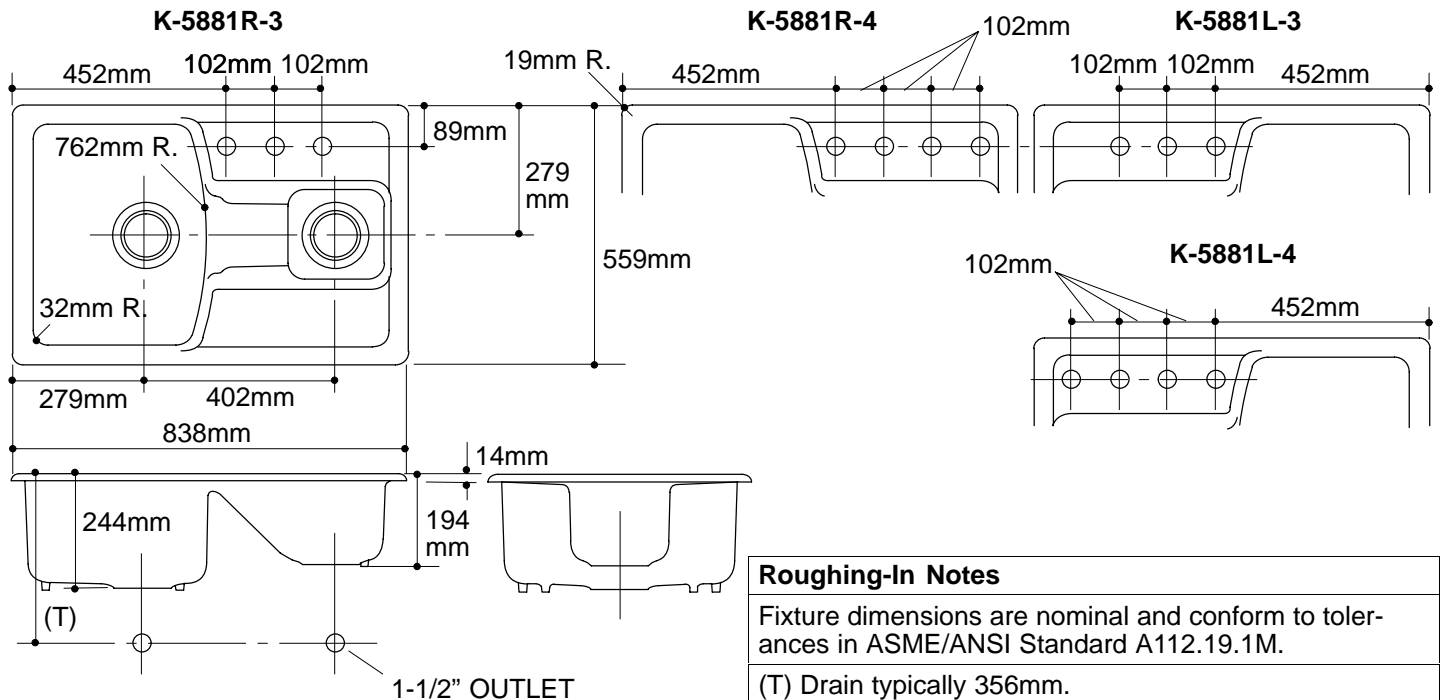
Fixture*:		basin area	water depth
Sink, small		381 x 203mm	152mm
Sink, large		381 x 483mm	203mm
Outlet	Ø98mm		
Faucet and spout holes	Ø35mm		
* Approximate measurements for comparison only.			

Included Components:

Hardwood cutting board	95720
------------------------	-------

Installation Notes

Refer to installation instructions included with fixture before beginning installation.



Roughing-In Notes

Fixture dimensions are nominal and conform to tolerances in ASME/ANSI Standard A112.19.1M.

(T) Drain typically 356mm.

Cutout 806 x 527mm with 25mm radius corners.