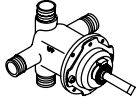
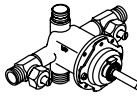


CORALAIS™ DECORATOR SERIES

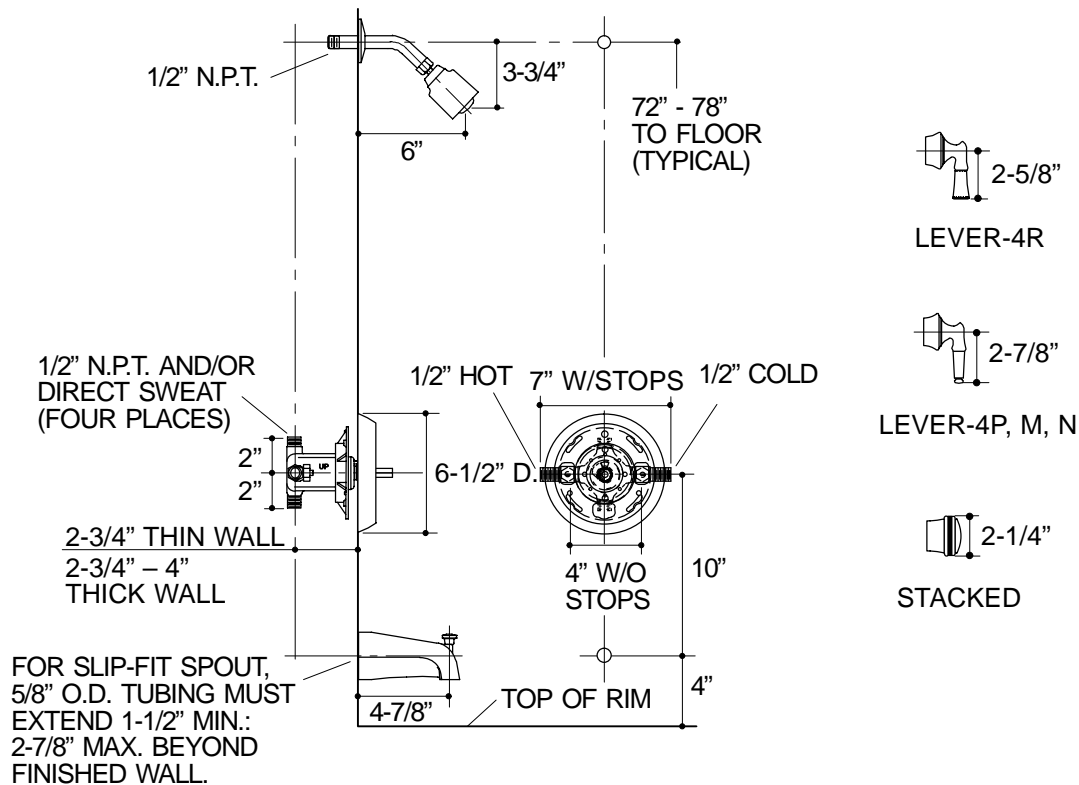
Required Accessory			
K-15701-K	Coralais Rite-Temp Pressure-Balancing Valve, Less Stops	<input type="checkbox"/> NA	
K-15701-KS	Coralais Rite-Temp Pressure-Balancing Valve, With Stops		<input type="checkbox"/> NA

INSTALLATION NOTES

Avoid cross-flow conditions. Do not install shut-off device on either valve outlet.

Cap shower outlet if deck-mount spout, diverter, or handshower is connected to spout outlet.

Install straight pipe or tube drop of 7 to 18" with single elbow between valve and wall-mount spout.



332

PRODUCT DIAGRAM