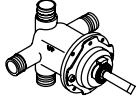
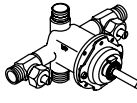




# CORALAIS™ DECORATOR SERIES

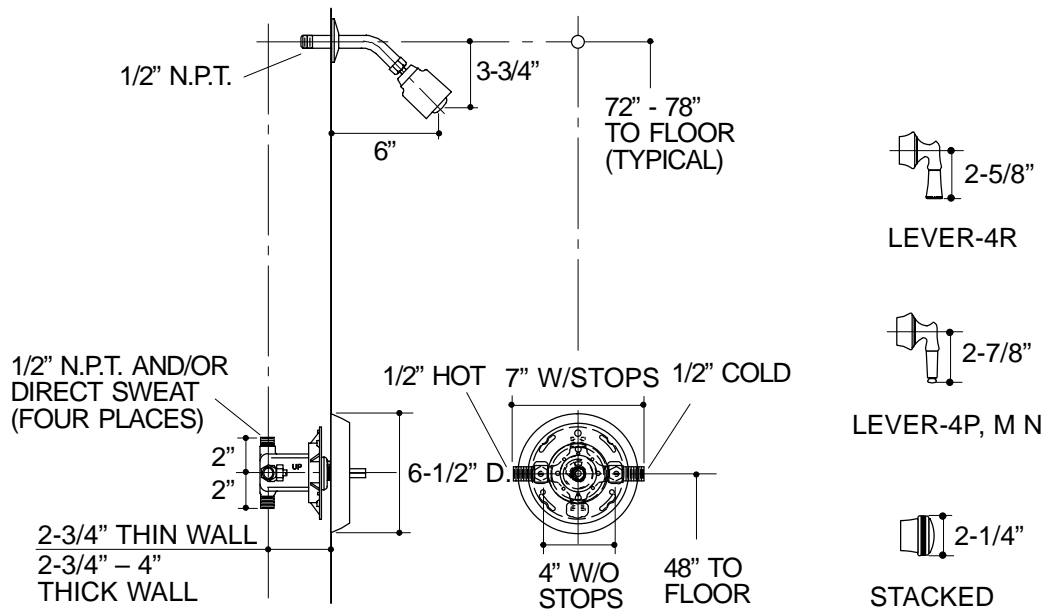
| Required Accessory |   |  |  |
|--------------------|---|---|---|
| K-15701-K          | Coralais Rite-Temp Pressure-Balancing Valve, Less Stops | <input type="checkbox"/> NA   |   |
| K-15701-KS         | Coralais Rite-Temp Pressure-Balancing Valve, With Stops |   | <input type="checkbox"/> NA   |

## INSTALLATION NOTES

Avoid cross-flow conditions. Do not install shut-off device on either valve outlet.

Cap shower outlet if deck-mount spout, diverter, or handshower is connected to spout outlet.

Install straight pipe or tube drop of 7 to 18" with single elbow between valve and wall-mount spout.



332

## PRODUCT DIAGRAM