

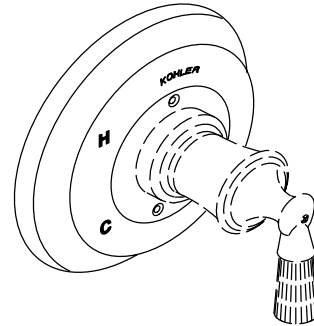
FEATURES

- Available with lever or stacked handle

CODES/STANDARDS APPLICABLE

Specified model meets or exceeds the following:



- ASME/ANSI A112.18.1M
- ASSE/ANSI 1016






COLORS/FINISHES

- CP Polished Chrome
- PB Polished Brass
- Other Refer to Faucets Price Book for additional finishes

SPECIFIED MODEL: For complete faucet, both faucet trim and Rite-Temp valve must be specified.

Model	Description		
K-T15873-4K	Lever Handle; Matching Finish Trim	<input type="checkbox"/> CP <input type="checkbox"/> PB	
K-T15873-7K	Stacked Handle; Matching Finish Trim		<input type="checkbox"/> CP <input type="checkbox"/> PB
K-T15873-7N	Stacked Handle; White Trim With Polished Brass Accents		<input type="checkbox"/> Other_____

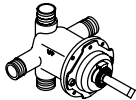
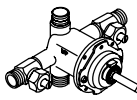
Required Accessory				
	K-15855-4M	Lever, Polished Chrome Insert	<input type="checkbox"/> CP	
	K-15855-4N	Lever, Polished Brass Insert		<input type="checkbox"/> PB
	K-15855-4P	Lever, White Porcelain Insert	<input type="checkbox"/> CP	<input type="checkbox"/> PB
	K-15855-4R	Lever, Acrylic Insert		<input type="checkbox"/> NA
	K-15855-7M	Stacked, Polished Chrome Insert	<input type="checkbox"/> CP	
	K-15855-7N	Stacked, Polished Brass Insert		<input type="checkbox"/> PB

Required and Optional Accessories on Page 2.

PRODUCT SPECIFICATION:

Rite-Temp pressure-balancing single-control shower faucet trim shall be of metal construction. Product shall include faceplate with lever or sculptured acrylic handle. Valve trim shall be Kohler Model K-T15873-_____-_____ with K-15855-_____-_____ handle insert. Rite-Temp valve shall be Kohler Model K-_____-_____-NA.

CORALAIS™ DECORATOR SERIES

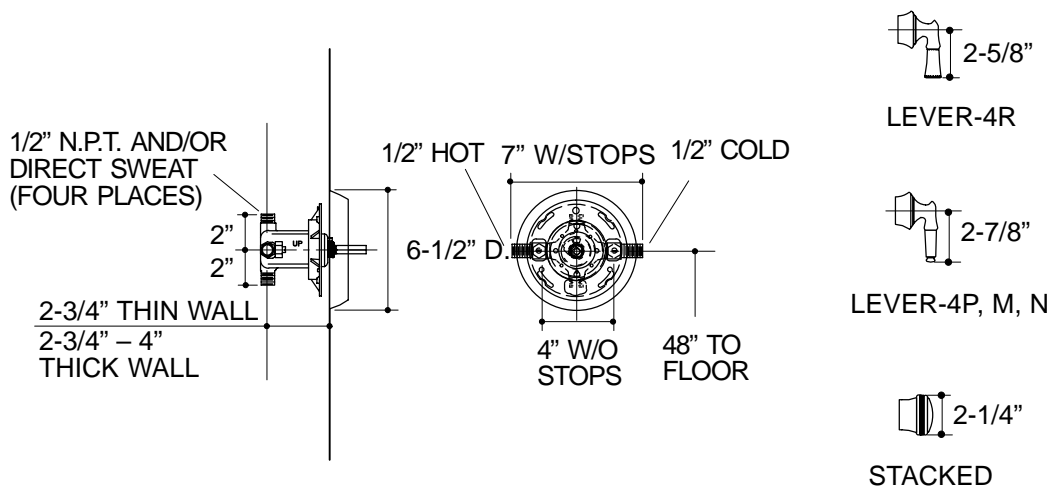
Required Accessory			
K-15701-K	Coralais Rite-Temp Pressure-Balancing Valve, Less Stops	<input type="checkbox"/> NA	
K-15701-KS	Coralais Rite-Temp Pressure-Balancing Valve, With Stops		<input type="checkbox"/> NA

INSTALLATION NOTES

Avoid cross-flow conditions. Do not install shut-off device on either valve outlet.

Cap shower outlet if deck-mount spout, diverter, or handshower is connected to spout outlet.

Install straight pipe or tube drop of 7 to 18" with single elbow between valve and wall-mount spout.



PRODUCT DIAGRAM