

**SHOWER FAUCET TRIM
K-P15111
PROJECT PACK
ALSO K-P15701**

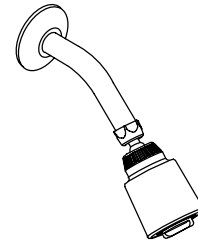
FEATURES

- Metal construction
- Available with lever or sculptured acrylic handle
- Packaged 12 per case

CODES/STANDARDS APPLICABLE

Specified model meets or exceeds the following:



- ASME/ANSI A112.18.1M
- ASSE/ANSI 1016
- CSA B125
- IAPMO/UPC

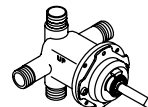
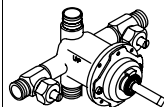


COLORS/FINISHES

- CP Polished Chrome
- PB Polished Brass
- Other Refer to Faucets Price Book for additional finishes

SPECIFIED MODEL: For complete faucet, both faucet trim and Rite-Temp valve must be specified.

Model	Description		
K-P15111-4	With Lever Handle	<input type="checkbox"/> CP <input type="checkbox"/> PB <input type="checkbox"/> Other_____	
K-P15111-7	With Sculptured Acrylic Handle		<input type="checkbox"/> CP <input type="checkbox"/> PB <input type="checkbox"/> Other_____

Required Accessory			
K-P15701-K	Coralais Rite-Temp Pressure-Balancing Valve, Less Stops	<input type="checkbox"/> NA	
K-P15701-KS	Coralais Rite-Temp Pressure-Balancing Valve, With Stops		<input type="checkbox"/> NA

Optional Accessory on Page 2.

PRODUCT SPECIFICATION:
Rite-Temp pressure-balancing single-control shower faucet trim shall be of metal construction. Product shall include showerhead with arm and flange, and faceplate with lever or sculptured acrylic handle. Faucet trim shall be Kohler Model K-P15111-_____ and Rite-Temp valve shall be Kohler Model K-P15701-_____-NA. Project pack valves and trim are packaged twelve per case.

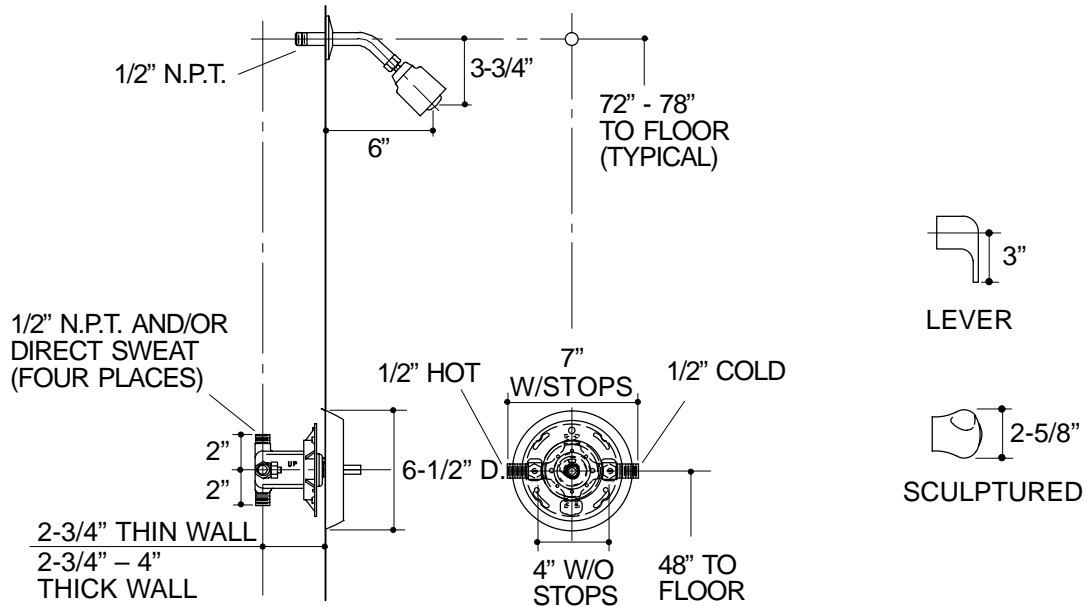
CORALAIS™

INSTALLATION NOTES

Avoid cross-flow conditions. Do not install shut-off device on either valve outlet.

Cap shower outlet if deck-mount spout, diverter, or handshower is connected to spout outlet.

Install straight pipe or tube drop of 7 to 18" with single elbow between valve and wall-mount spout.



332

PRODUCT DIAGRAM