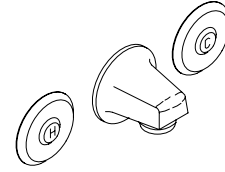


**SHELF-BACK LAVATORY FAUCET
K-7485**

FEATURES

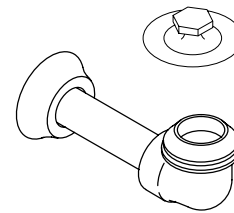
- Brass construction
- For 5-1/2" centers
- Concealed self-closing valves
- 1-1/4" spout
- Intended for Taunton™ lavatory installations
- Drain with non-removable stopper
- Vandal-resistant
- Indexed push buttons



CODES/STANDARDS APPLICABLE

Specified model meets or exceeds the following:

- ASME/ANSI A112.18.1M
- CSA B125
- Energy Policy Act of 1992
- IAPMO/UPC



COLORS/FINISHES

- CP Polished Chrome

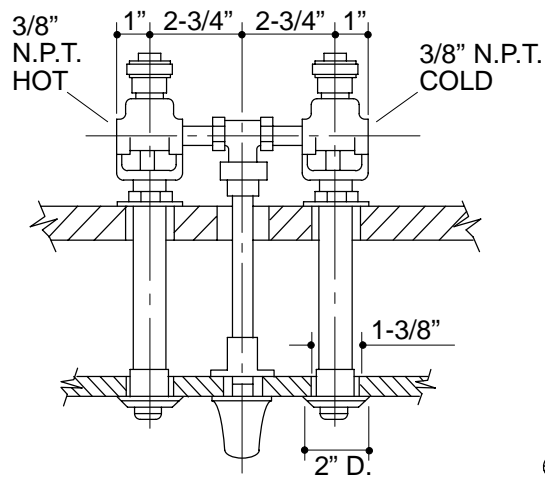
SPECIFIED MODEL:

Model	Wall Thickness:	
K-7485	1"	<input type="checkbox"/> CP
K-7485-A	2"	<input type="checkbox"/> CP
K-7485-J	3"	<input type="checkbox"/> CP
K-7485-B	4"	<input type="checkbox"/> CP
K-7485-C	5"	<input type="checkbox"/> CP
K-7485-D	6"	<input type="checkbox"/> CP
K-7485-K	7"	<input type="checkbox"/> CP
K-7485-E	8"	<input type="checkbox"/> CP
K-7485-F	9"	<input type="checkbox"/> CP
K-7485-G	10"	<input type="checkbox"/> CP
K-7485-H	11"	<input type="checkbox"/> CP
K-7485-I	12"	<input type="checkbox"/> CP

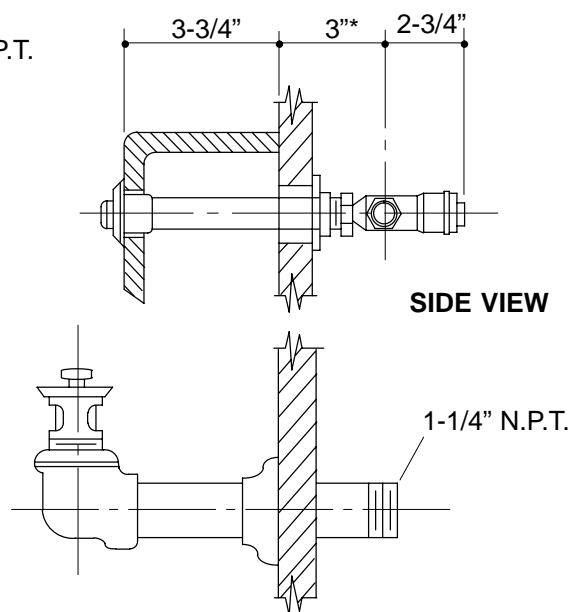
NOTE: For wall thicknesses greater than 12", contact your Kohler Branch Office for availability.

PRODUCT SPECIFICATION:

Shelf-back vandal-resistant lavatory faucet shall be of brass construction. Product shall be vandal-resistant and feature concealed self-closing valves. Product is intended for Taunton lavatory installations. Product shall include 5-1/2" centers, 1-1/4" spout, drain with non-removable stopper, indexed push buttons for hot and cold water, and N.P.T. connections. Faucet shall be Kohler Model K-7485-_____-CP.



TOP VIEW



* SUPPLY FITTING REQUIRED FURNISHED FOR WALL NOT TO EXCEED 1" THICK. FOR THICKER WALL ADD 1" TO SUPPLY MEASUREMENT (3") FOR EVERY INCH OR FRACTION THEREOF.

PRODUCT DIAGRAM