

**SELF-CLOSING FAUCET
K-7500**

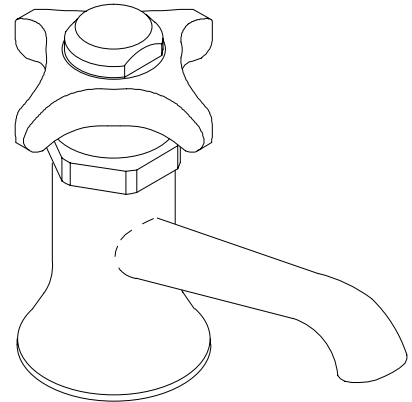
FEATURES

- Brass construction
- Self-closing valve
- 3-1/2" spout
- Four-arm handle
- Ball bearing

CODES/STANDARDS APPLICABLE

Specified model meets or exceeds the following:

- ASME/ANSI A112.18.1M
- CSA B125
- IAPMO/UPC



COLORS/FINISHES

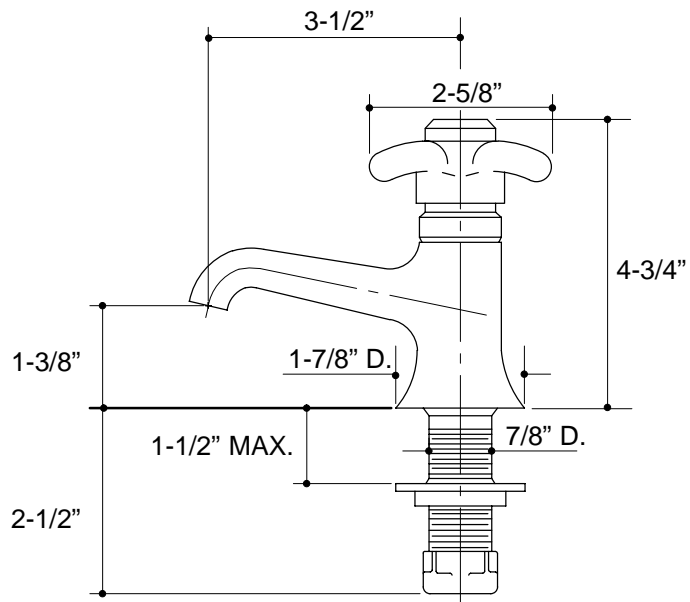
- CP Polished Chrome

SPECIFIED MODEL:

Model	Description	
K-7500-C	Sentry Self-Closing Faucet, Cold	<input type="checkbox"/> CP
K-7500-H	Sentry Self-Closing Faucet, Hot	<input type="checkbox"/> CP

PRODUCT SPECIFICATION:

Single-handle self-closing faucet shall be of brass construction. Faucet shall be less drain. Faucet shall include 3-1/2" spout, ball bearing, self-closing valve, and four-arm handle. Cold water faucet shall be Kohler Model K-7500-C-CP. Hot water faucet shall be Kohler Model K-7500-H-CP.



PRODUCT DIAGRAM