

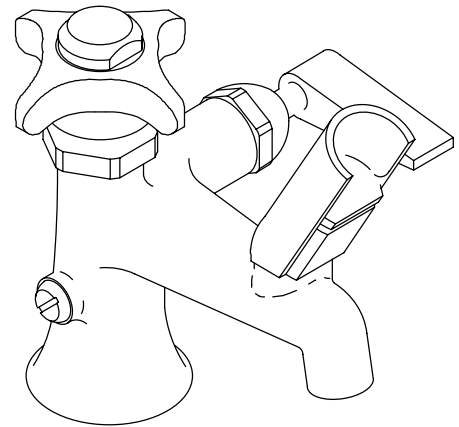
**FEATURES**

- *Brass construction*
- *Self-closing control valve*
- *3-1/2" spout*
- *Four-arm handle*
- *Combination spout and fountain*
- *Flow regulator*

**CODES/STANDARDS APPLICABLE**

Specified model meets or exceeds the following:

- *ASME/ANSI A112.18.1M*
- *CSA B125*
- *IAPMO/UPC*
- *NSF 61*



**COLORS/FINISHES**

- CP Polished Chrome

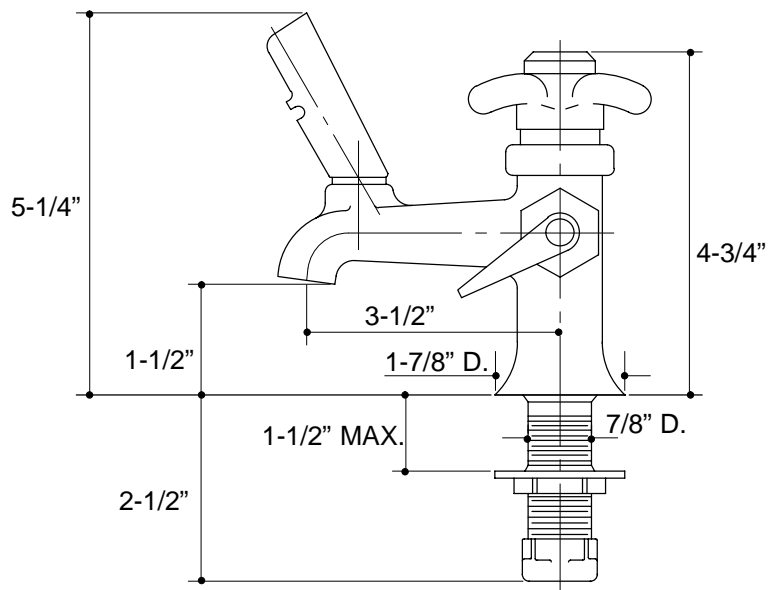
**SPECIFIED MODEL:**

Model	Description	
K-7520	Station Compression Faucet	<input type="checkbox"/> CP

**PRODUCT SPECIFICATION:**

Combination compression faucet shall be of brass construction. Faucet shall feature a self-closing control valve for water fountain. Product shall be less drain. Product shall include 3-1/2" spout, four-arm handle, and flow regulator. Faucet shall be Kohler Model K-7520-CP.

# STATION



38

## PRODUCT DIAGRAM