

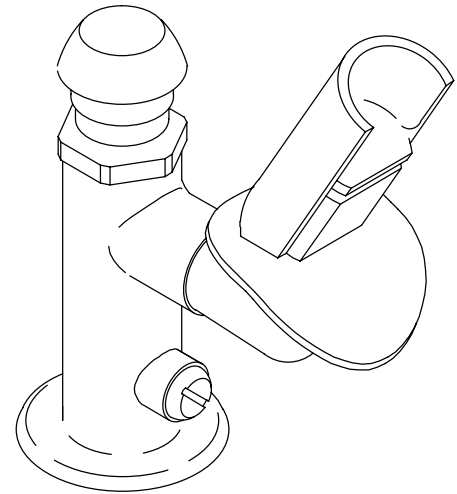
FEATURES

- Brass construction
- Push button self-closing valve
- 3-3/16" spout
- Flow regulator

CODES/STANDARDS APPLICABLE

Specified model meets or exceeds the following:

- ASME/ANSI A112.18.1M
- CSA B125
- IAPMO/UPC
- NSF 61



COLORS/FINISHES

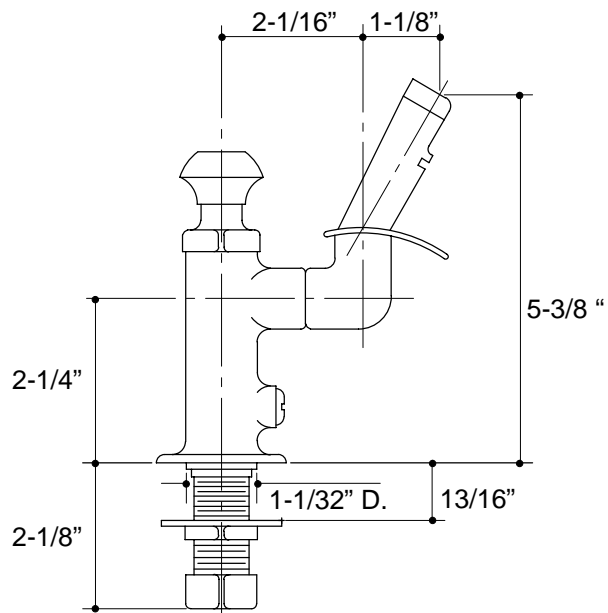
- CP Polished Chrome

SPECIFIED MODEL:

Model	Description	
K-7524	Bubbler	<input type="checkbox"/> CP

PRODUCT SPECIFICATION:

Bubbler shall be of brass construction. Product shall feature push-button self-closing valve. Product shall be less drain. Product shall include 3-3/16" spout, and flow regulator. Bubbler shall be Kohler Model K-7524-CP.



PRODUCT DIAGRAM