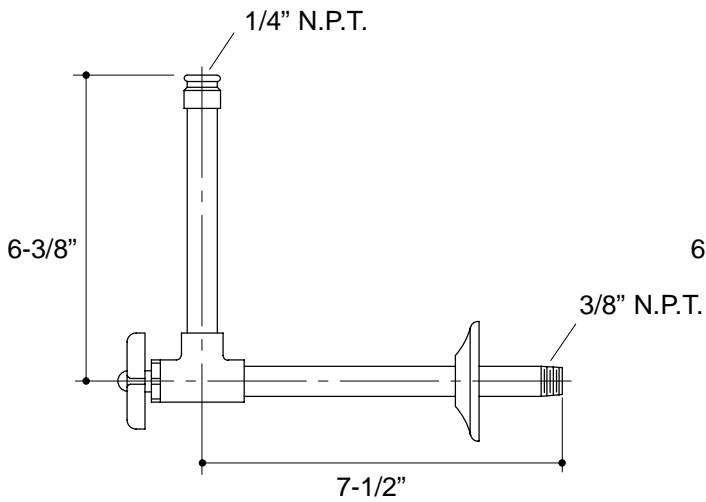
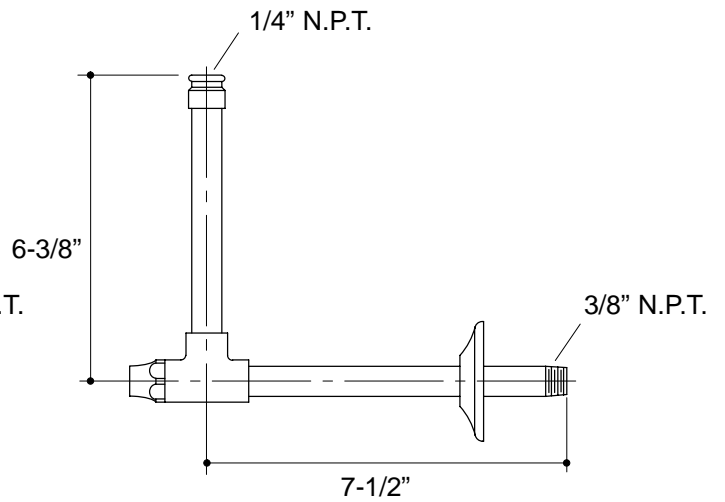


Ordering Information

Applicable angle supply:	
3/8" N.P.T. with four-arm handle stop, pair	K-7600-P
3/8" N.P.T. with loose key stop, pair	K-7601-P



K-7600



K-7601