

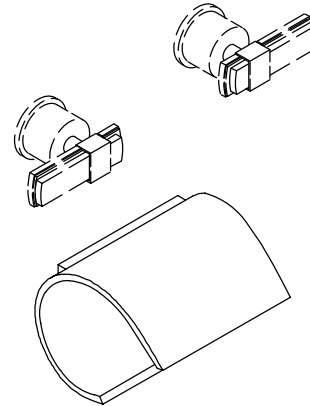
**FEATURES**

- Brass construction
- Brass valve bodies
- 1/2" quarter-turn washerless ceramic disc valves
- 7-1/2" sheetflow non-diverter spout
- Available with lever or ball handles

**CODES/STANDARDS APPLICABLE**

Specified model meets or exceeds the following:

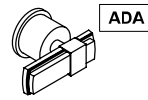
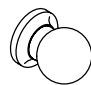
- ASME/ANSI A112.18.1M
- CSA B125
- IAPMO/UPC

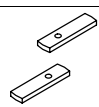
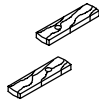


**COLORS/FINISHES**

- CP Polished Chrome
- PB Polished Brass

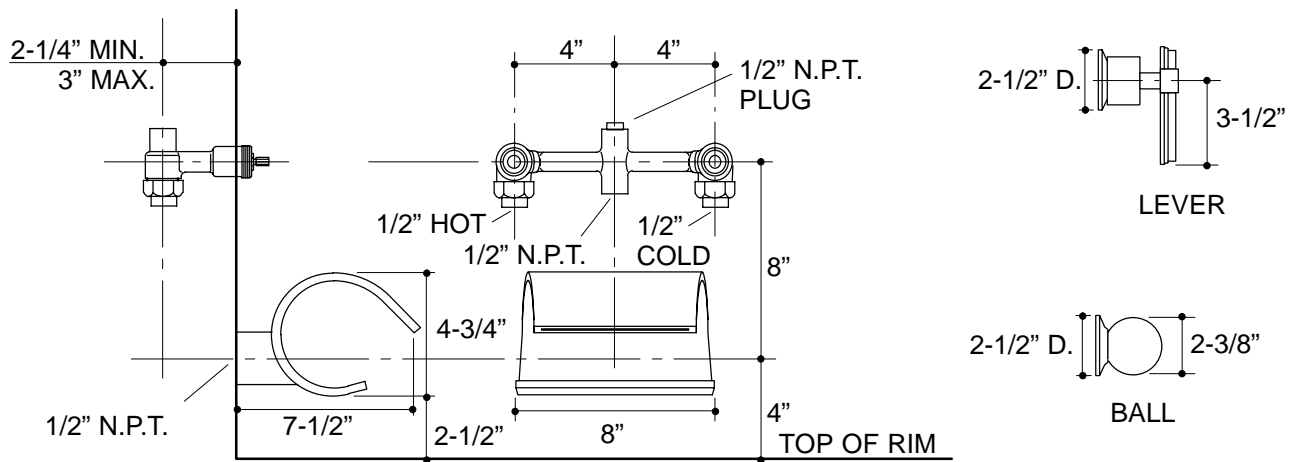
**SPECIFIED MODEL:**

Model	Description		
K-7907-4	With Lever Handles	<input type="checkbox"/> CP <input type="checkbox"/> PB	
K-7907-8	With Ball Handles		<input type="checkbox"/> CP <input type="checkbox"/> PB

Optional Accessories			
K-9970	 Large Lever Metal Insets, Pair	<input type="checkbox"/> CP <input type="checkbox"/> PB	<input type="checkbox"/> Other_____
K-9984	 Large Lever Stone Insets, Pair		<input type="checkbox"/> Other_____

**PRODUCT SPECIFICATION:**

Two-handle bath faucet shall be of brass construction. Faucet shall feature brass valve bodies. Faucet shall feature 1/2" quarter-turn washerless ceramic disc valves, assuring positive handle stop positioning. Product shall include 7-1/2" sheetflow non-diverter spout, and lever or ball handles. Faucet shall be Kohler Model K-7907-\_\_\_\_\_-\_\_\_\_\_.



## PRODUCT DIAGRAM