

**BATH FAUCET TRIM
K-T8235
ALSO K-300-K**

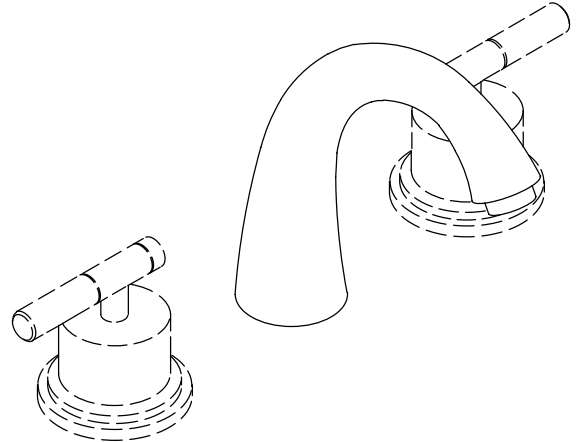
FEATURES

- Brass construction
- Deck-mount
- 7-1/2" high-arch non-diverter spout with slip-fit connection
- Variety of handle style options

CODES/STANDARDS APPLICABLE

Specified model meets or exceeds the following:





- ASME/ANSI A112.18.1M
- CSA B125

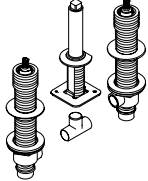


COLORS/FINISHES

- CP Polished Chrome
- PB Polished Brass
- Other Refer to Faucets Price Book for additional finishes

SPECIFIED MODEL: For complete faucet, both faucet trim and valve system must be specified.

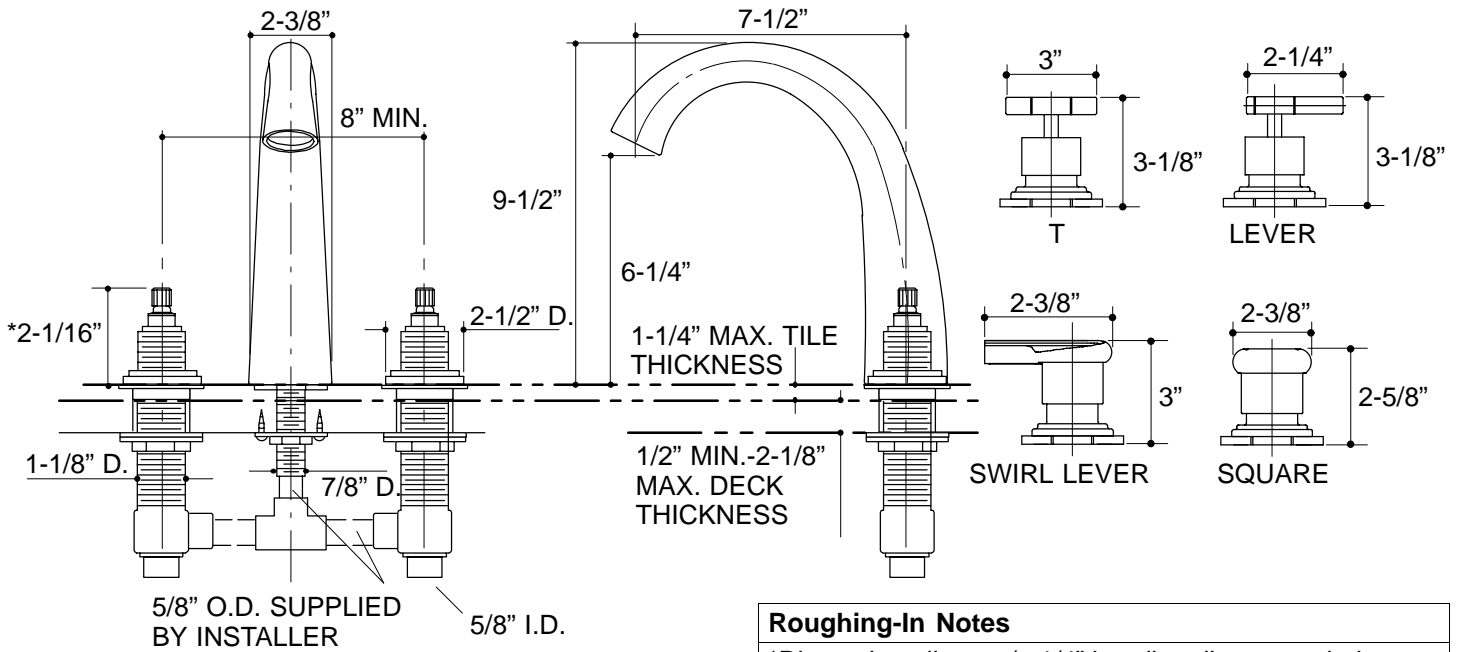
Model	Description				
K-T8235-2	With Square Handles	<input type="checkbox"/> CP <input type="checkbox"/> PB			
K-T8235-4	With Lever Handles		<input type="checkbox"/> CP <input type="checkbox"/> PB <input type="checkbox"/> Other_____		
K-T8235-4A	With Swirl Lever Handles			<input type="checkbox"/> CP <input type="checkbox"/> PB	
K-T8235-6	With T-Handles				<input type="checkbox"/> CP <input type="checkbox"/> PB <input type="checkbox"/> Other_____

Required Accessory		
K-300-K	1/2" High-Flow Ceramic Disc Valve System	<input type="checkbox"/> NA

PRODUCT SPECIFICATION:

Two-handle deck-mount high-flow bath faucet trim shall be of brass construction. Product shall include 7-1/2" high-arch non-diverter spout with slip-fit connection, and handles. Faucet trim shall be Kohler Model K-T8235-_____-_____- and valve system shall be Kohler Model K-300-K-NA.

TABORET®



Roughing-In Notes

*Dimension allows +/- 1/4" handle adjustment during handle trim installation.

.9<34

PRODUCT DIAGRAM