

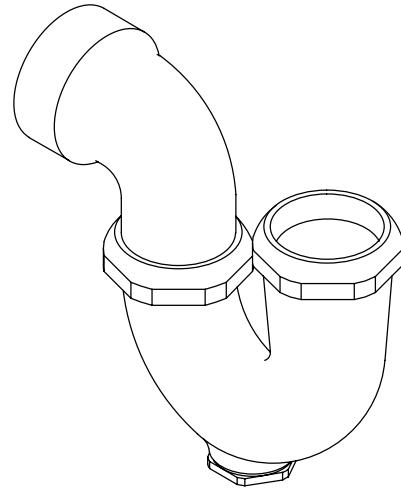
FEATURES

- *Cast brass construction*
- *Adjustable rotation on outlet tube*
- *Slip-joint inlet*
- *Cleanout plug*

CODES/STANDARDS APPLICABLE

Specified model meets or exceeds the following:

- *ASME/ANSI A112.18.1M*
- *IAPMO/UPC*



COLORS/FINISHES

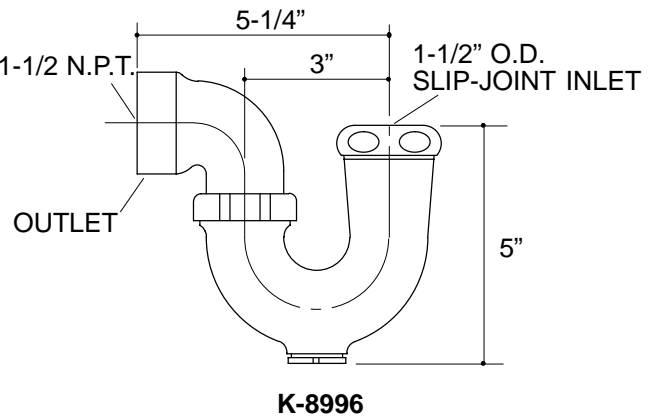
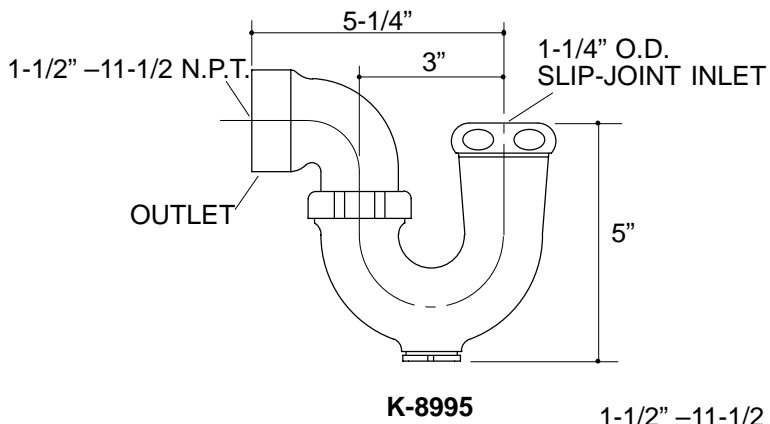
- CP Polished Chrome

SPECIFIED MODEL:

Model	Description	
K-8995	With 1-1/4" O.D. Inlet and 1-1/2" N.P.T. Outlet	<input type="checkbox"/> CP
K-8996	With 1-1/2" O.D. Inlet and 1-1/2" N.P.T. Outlet	<input type="checkbox"/> CP

PRODUCT SPECIFICATION:

P-trap shall be of cast brass construction. Adjustable P-trap shall feature cleanout plug, and 1-1/2" N.P.T. outlet. Optional feature shall be 1-1/4" O.D. or 1-1/2" O.D. slip-joint inlet. Product shall be Kohler Model K-_____-CP.



PRODUCT DIAGRAM