

STRAINER
K-9161
ALSO K-9172, K-9183

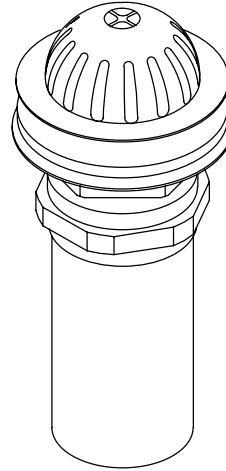
FEATURES

- Brass construction
- Intended for urinal installations
- Available with stainless steel beehive or china grate

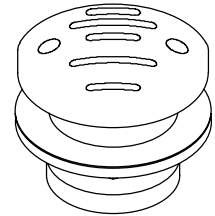
CODES/STANDARDS APPLICABLE

Specified model meets or exceeds the following:

- ASME/ANSI A112.18.1M
- CSA B125
- IAPMO/UPC



K-9161
K-9183



K-9172

COLORS/FINISHES

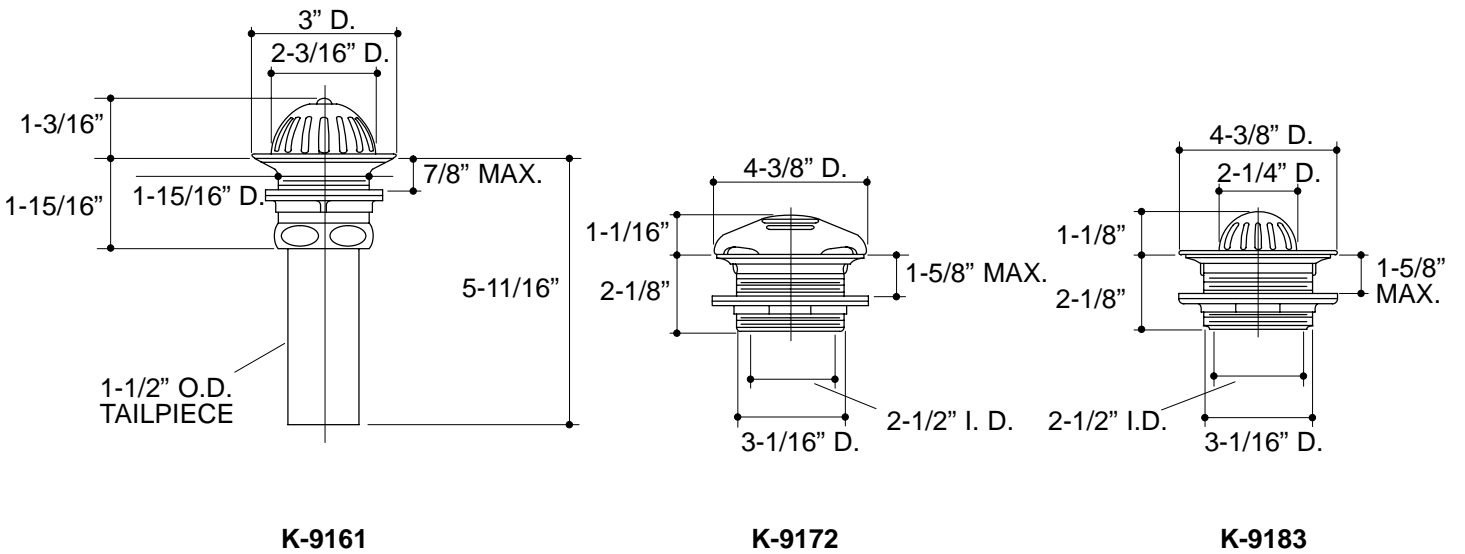
- NA Not applicable

SPECIFIED MODEL:

Model	Description			
K-9161	Beehive Strainer With Tailpiece	<input type="checkbox"/> NA		
K-9172	China Grate Strainer		<input type="checkbox"/> NA	
K-9183	Beehive Strainer Less Tailpiece			<input type="checkbox"/> NA

PRODUCT SPECIFICATION:

Urinal strainer shall be of brass construction. K-9161 is intended for enameled iron urinal installations. K-9172 and K-9183 are intended for vitreous china urinal installations with caulking 2" iron pipe or soldering 2" lead pipe connection. Strainer shall be Kohler Model K-_____ -NA.



316

PRODUCT DIAGRAM