

HOT WATER DISPENSER

K-9607-R

ALSO K-9609-R

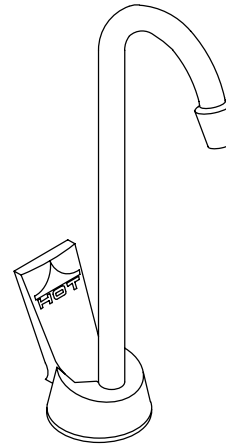
FEATURES

- Brass construction
- Gooseneck spout
- Dispenses up to 60 cups of 190 degree water per hour

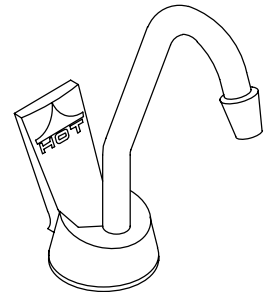
CODES/STANDARDS APPLICABLE

Specified model meets or exceeds the following:

- ASME/ANSI A112.18.1M
- Underwriter's Laboratory (UL)



K-9607-R



K-9609-R

COLORS/FINISHES

- CP Polished Chrome

SPECIFIED MODEL:

Model	Description	
K-9607-R	With 10" High, 3" Gooseneck Spout	<input type="checkbox"/> CP
K-9609-R	With 6-1/2" High, 4-1/2" Gooseneck Spout	<input type="checkbox"/> CP

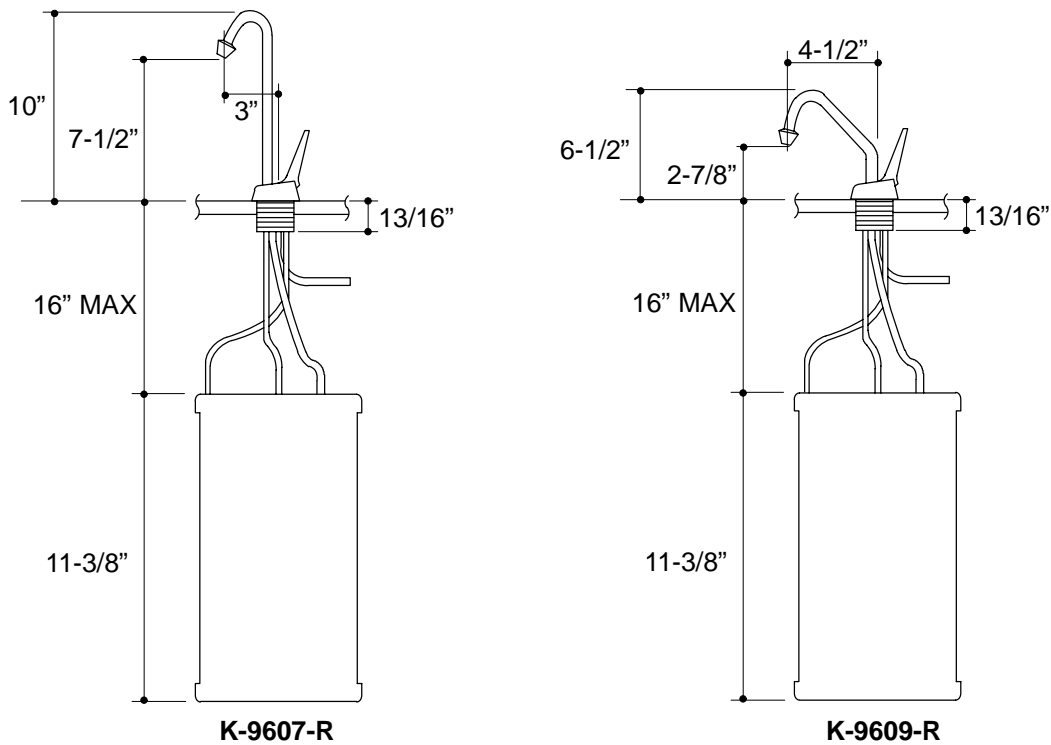
PRODUCT SPECIFICATION:

Hot water dispenser shall be of brass construction. Product shall feature a gooseneck spout. Product can dispense up to 60 cups of 190 degree water per hour. Hot water dispenser shall be Kohler Model K-_____-R-CP.

PIPING HOT®

REQUIRED ELECTRICAL SERVICE

Service Requirements	115 V, 6.5 amps, 750 watts
----------------------	----------------------------



332

PRODUCT DIAGRAM