

**LAVATORY FAUCET
K-11802**

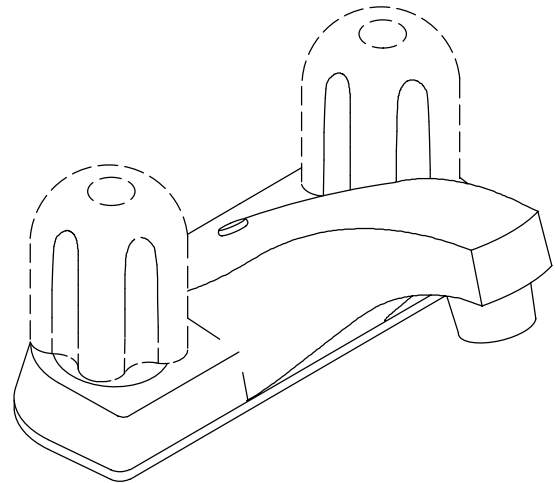
FEATURES

- Brass construction
- For 4" centers
- Brass valve bodies
- Compression valves
- 3-5/8" spout
- 2.0 gallons per minute
- Lift rod hole with plug
- Available with metal or sculptured acrylic handles

CODES/STANDARDS APPLICABLE

Specified model meets or exceeds the following:



- ASME/ANSI A112.18.1M
- CSA B125
- Energy Policy Act of 1992
- IAPMO/UPC
- NSF 61



COLORS/FINISHES

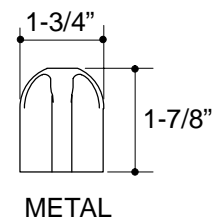
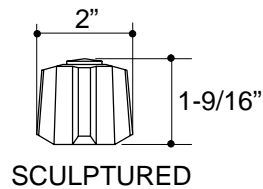
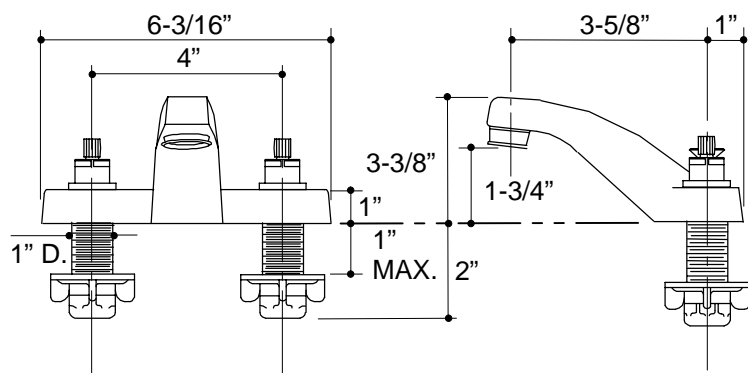
- CP Polished Chrome

SPECIFIED MODEL:

Model	Description		
K-11802-U	With Metal Handles	<input type="checkbox"/> CP	
K-11802-P	With Sculptured Acrylic Handles		<input type="checkbox"/> CP

PRODUCT SPECIFICATION:

Two-handle centerset lavatory faucet shall be of brass construction. Faucet shall feature brass valve bodies. Faucet shall also feature compression valves. Product shall be less drain. Product shall include 4" centers, 3-5/8" spout, lift rod hole with plug, and metal or sculptured acrylic handles. Faucet shall be Kohler Model K-11802-____-CP.



PRODUCT DIAGRAM