

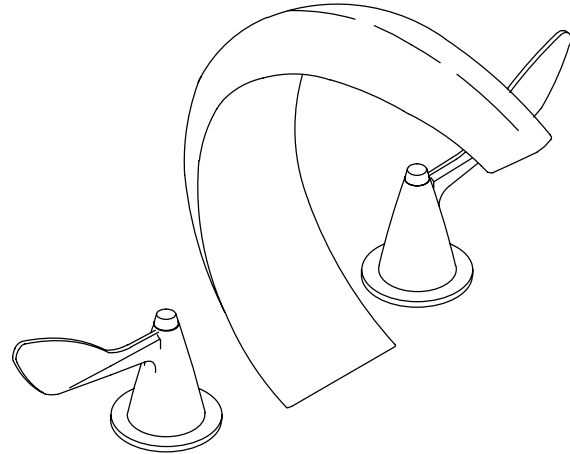
FEATURES

- Brass construction
- Deck-mount
- Brass valve bodies
- 1/2" quarter-turn washerless ceramic disc valves
- 7-1/2" Crescent non-diverter spout with N.P.S. connection
- Wristblade handles

CODES/STANDARDS APPLICABLE

Specified model meets or exceeds the following:

- ASME/ANSI A112.18.1M
- CSA B125



COLORS/FINISHES

- CP Polished Chrome
- PB Polished Brass

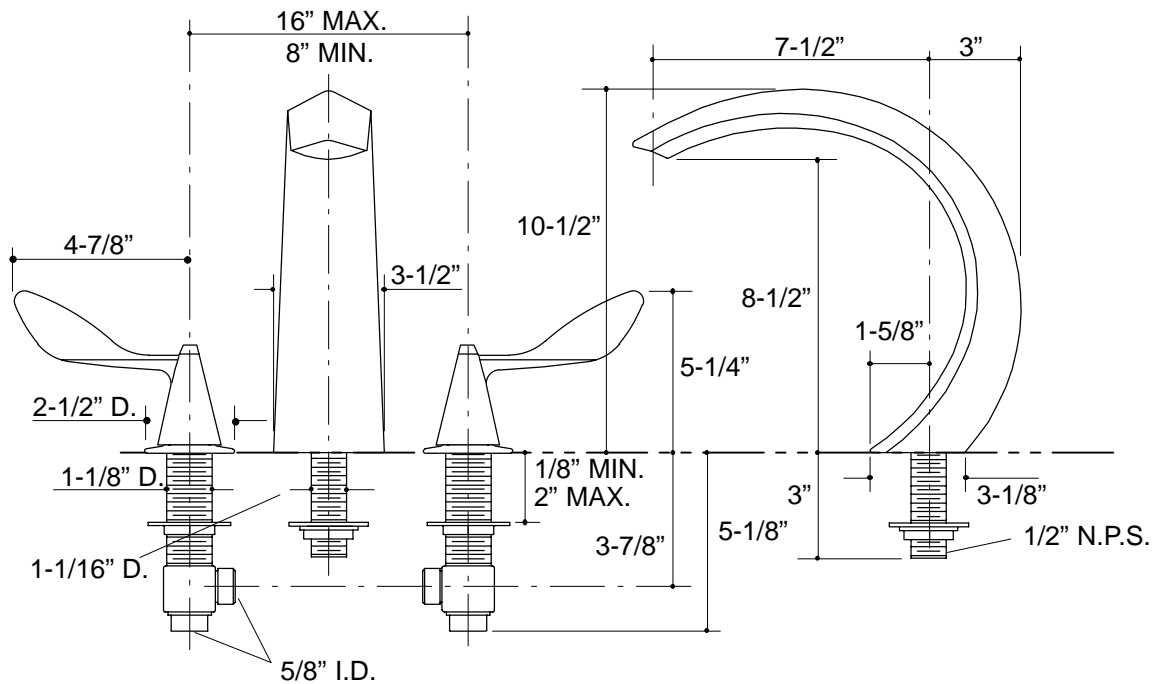
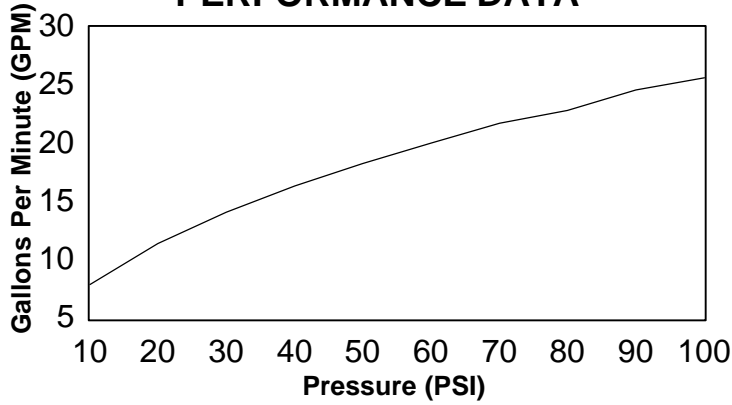
SPECIFIED MODEL:

Model	Description		
K-13320-5	Finesse Deck-Mount Bath Faucet	<input type="checkbox"/> CP	<input type="checkbox"/> PB

PRODUCT SPECIFICATION:

Two-handle deck-mount bath faucet shall be of brass construction. Faucet shall feature brass valve bodies. Faucet shall feature 1/2" quarter-turn washerless ceramic disc valves, assuring positive handle stop positioning. Product shall include 7-1/2" Crescent non-diverter spout with N.P.S. connection, and wristblade handles. Faucet shall be Kohler Model K-13320-5-_____.

PERFORMANCE DATA



PRODUCT DIAGRAM