

**SERVICE SINK FAUCET  
K-13625**

ADA

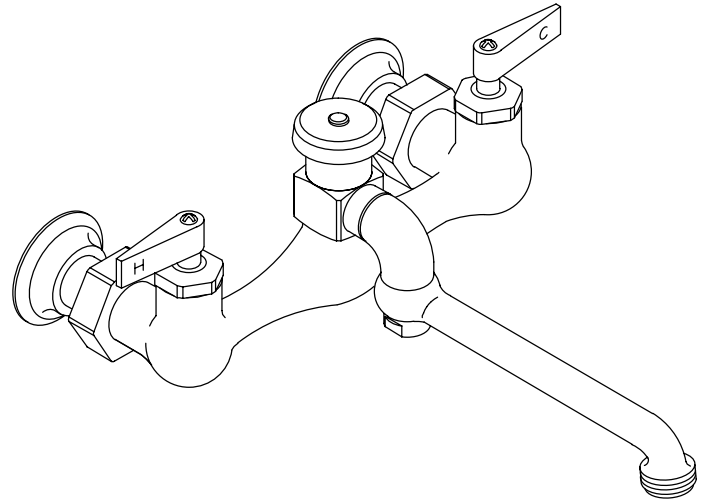
**FEATURES**

- Brass construction
- For 8" centers
- Brass valve bodies
- Valvet® valves
- 7" swing spout threaded for hose connection
- 11-7/8" wall-to-spout outlet
- Lever handles
- Adjustable flanges
- Vacuum breaker

**CODES/STANDARDS APPLICABLE**

Specified model meets or exceeds the following:

- ASME/ANSI A112.18.1M
- IAPMO/UPC



**COLORS/FINISHES**

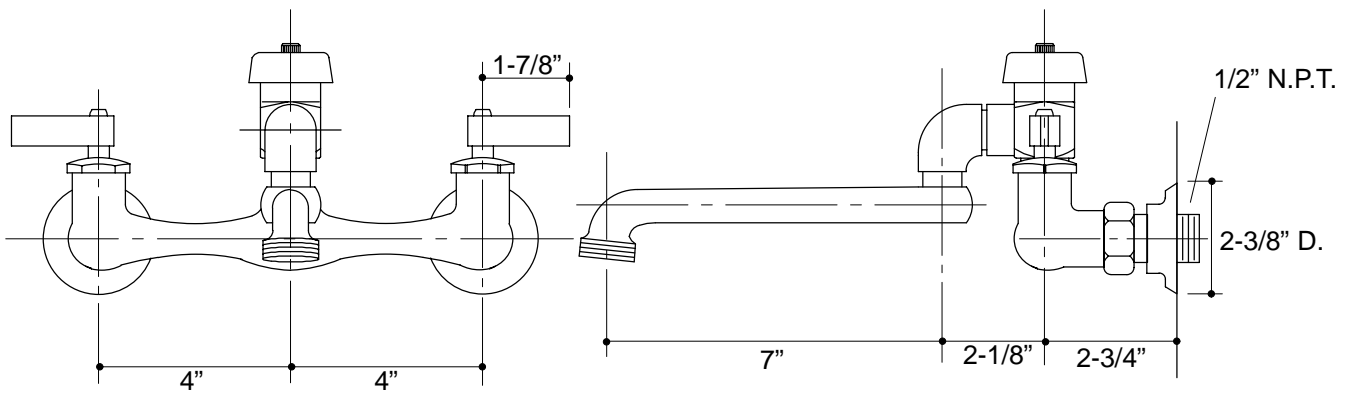
- CP Polished Chrome

**SPECIFIED MODEL:**

Model	Description	
K-13625	Service Sink Faucet	<input type="checkbox"/> CP

**PRODUCT SPECIFICATION:**

Two-handle service sink faucet shall be of brass construction. Faucet shall feature brass valve bodies. Faucet shall also feature Valvet valves. Product shall include 8" centers, 7" swing spout threaded for hose connection, 11-7/8" wall-to-spout outlet, lever handles, adjustable flanges, vacuum breaker, and internal N.P.T. connections. Faucet shall be Kohler Model K-13625-CP.



**PRODUCT DIAGRAM**