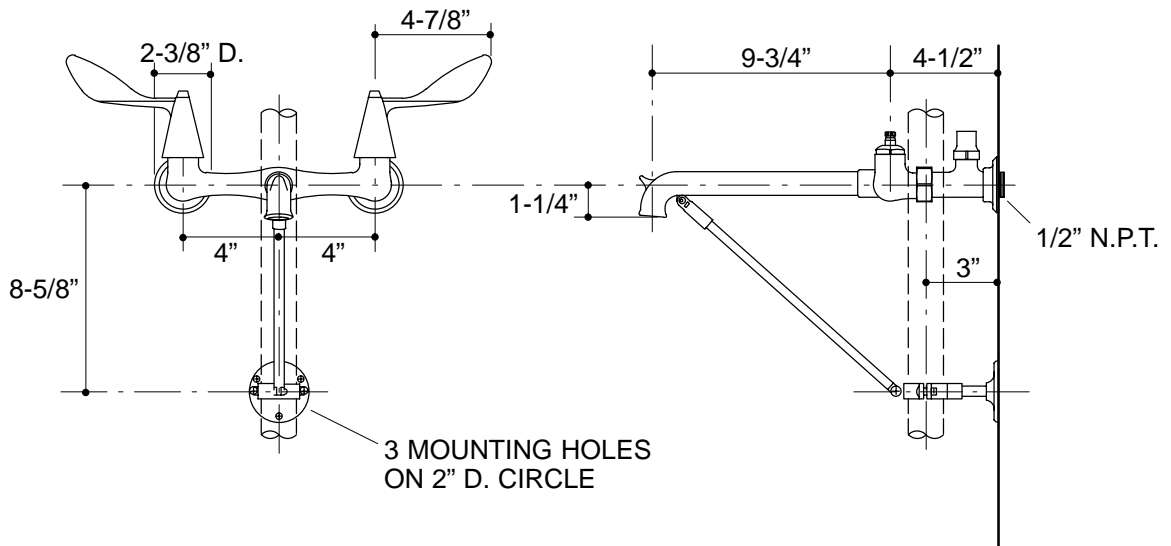


Ordering Information

Applicable faucet:	
Service sink faucet	K-13642
ADA Wristblade handles are ADA compliant	



316

K-13642 Finesse™ Service Sink Faucet
115246-1-AA (9619)

NOTES: