

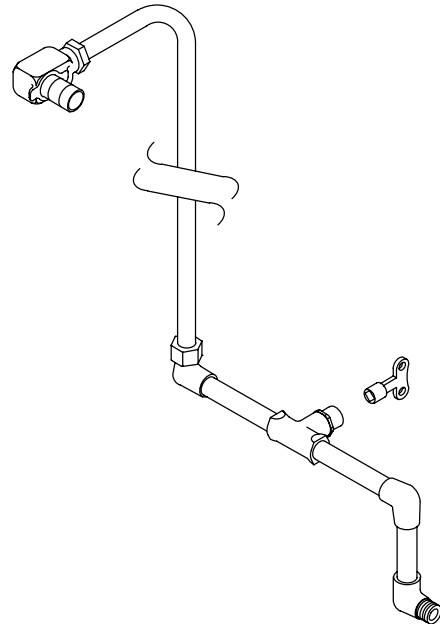
FEATURES

- Brass construction
- Compression valve
- Intended for center-drilled sink installations
- Delivers tempered water for wall-mount knee control fittings
- Loose key volume regulator

CODES/STANDARDS APPLICABLE

Specified model meets or exceeds the following:

- ASME/ANSI A112.18.1M



COLORS/FINISHES

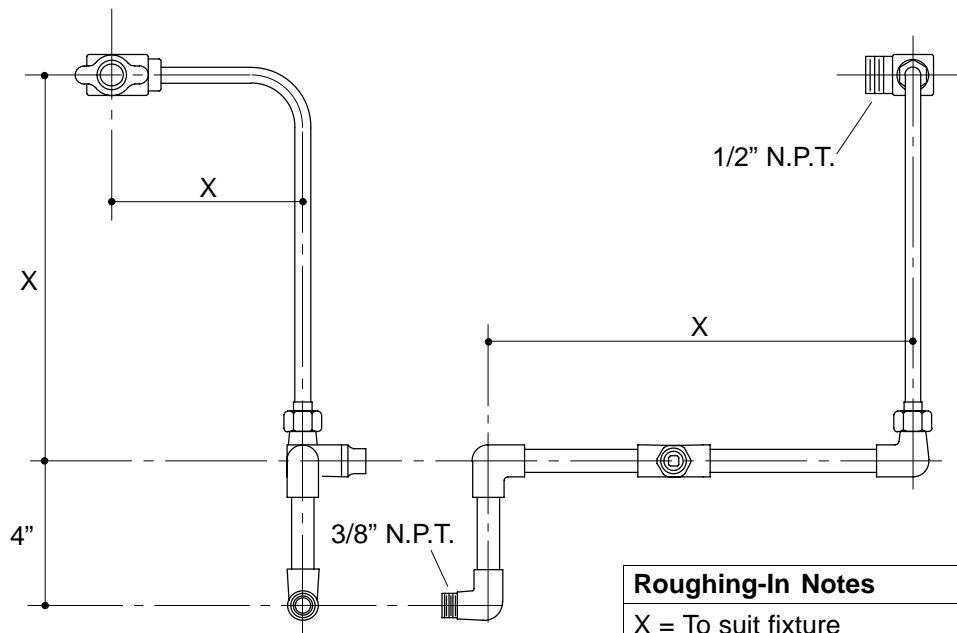
- CP Polished Chrome

SPECIFIED MODEL:

Model	For Fixture Similar To:	Size:	
K-13702-A	K-5980	24" x 18"	<input type="checkbox"/> CP
K-13702-B	K-3203	60"	<input type="checkbox"/> CP
	K-3204	72"	
K-13702-C	K-6652	22" x 20"	<input type="checkbox"/> CP
K-13702-D	K-12784	24" x 22"	<input type="checkbox"/> CP
	K-12781	30" x 22"	

PRODUCT SPECIFICATION:

Sink supply shall be of brass construction. Supply is intended for center-drilled sink installations and shall deliver tempered water for wall-mount knee control fittings. Product shall feature a compression valve, loose key volume regulator, and N.P.T. connections. Product shall be Kohler Model K-13702-____-CP.



316

PRODUCT DIAGRAM