

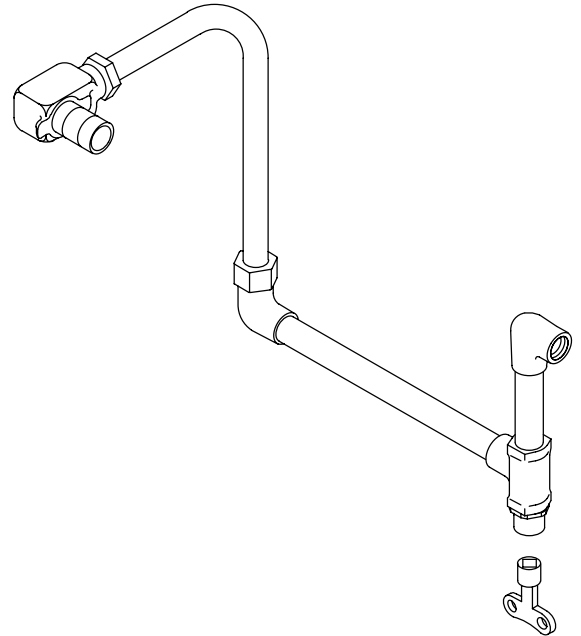
FEATURES

- Brass construction
- Compression valve
- For center-drilled sink installations
- Delivers tempered water for fixture-mount knee control fittings
- Loose key volume regulator

CODES/STANDARDS APPLICABLE

Specified model meets or exceeds the following:

- ASME/ANSI A112.18.1M



COLORS/FINISHES

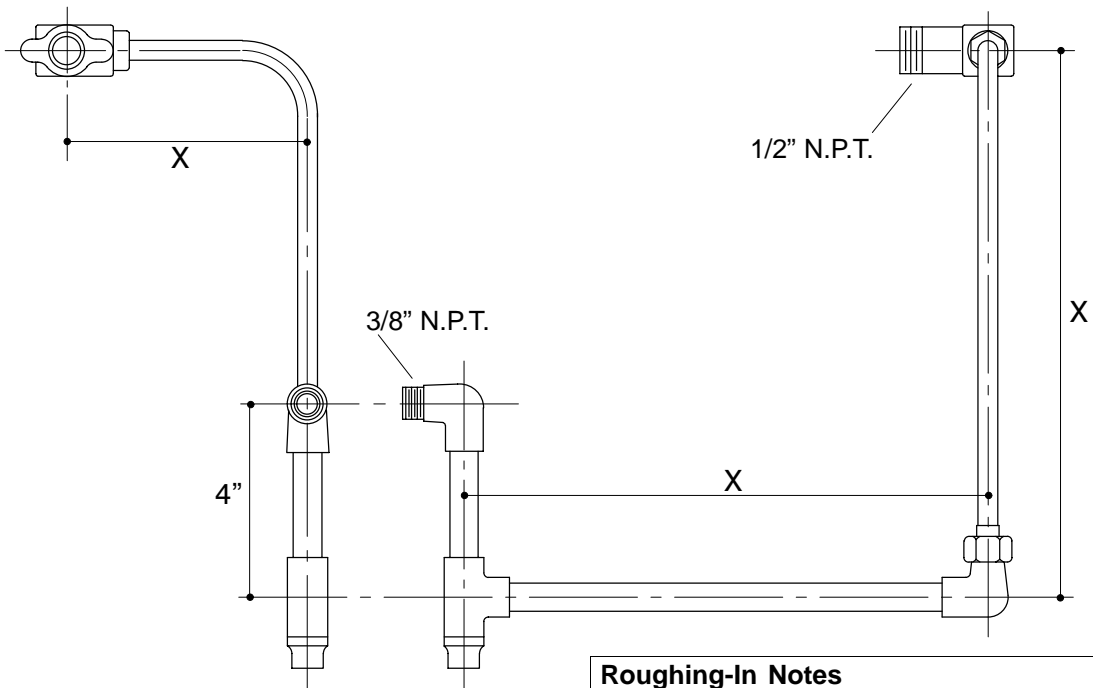
- CP Polished Chrome

SPECIFIED MODEL:

Model	For Fixture Similar To:	Size:	
K-13708-A	K-12784	24" x 22"	<input type="checkbox"/> CP
K-13708-B	K-12781	30" x 22"	<input type="checkbox"/> CP

PRODUCT SPECIFICATION:

Sink supply shall be of brass construction. Supply is intended for center-drilled sink installations, and shall deliver tempered water for fixture-mount knee control fittings. Product shall include compression valve, loose key volume regulator, and N.P.T. connections. Product shall be Kohler Model K-13708-____-CP.



Roughing-In Notes
X = To suit fixture

PRODUCT DIAGRAM