

**LAVATORY SUPPLY**  
**K-13718**  
**ALSO K-13719**

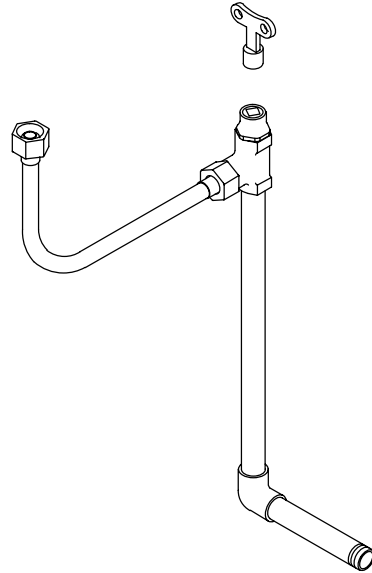
**FEATURES**

- Brass construction
- Compression valve
- Delivers tempered water for floor-mount single and double foot control fittings
- Loose key volume regulator

**CODES/STANDARDS APPLICABLE**

Specified model meets or exceeds the following:

- ASME/ANSI A112.18.1M



**COLORS/FINISHES**

- CP Polished Chrome

**SPECIFIED MODEL:**

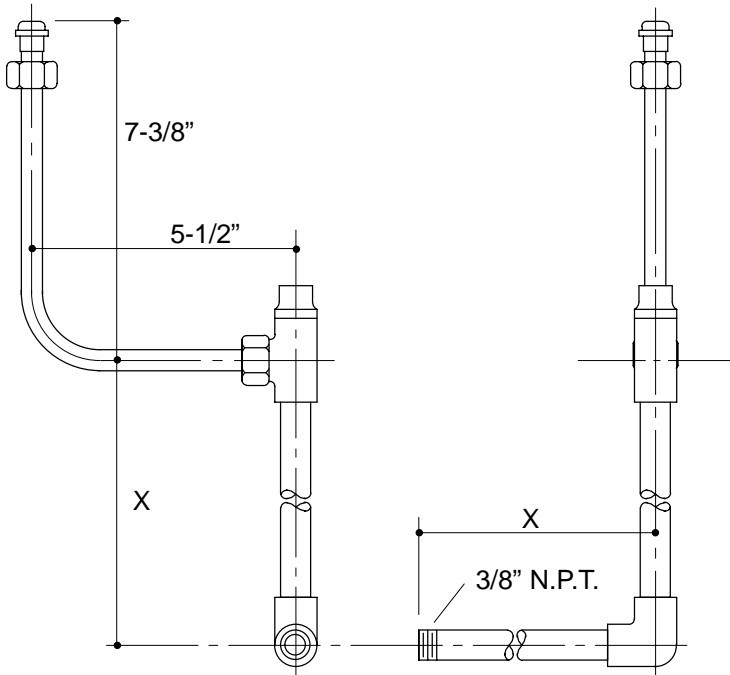
Model	For Fixture Similar To:	Size:	
<b>For Center-Drilled Lavatories:</b>			
K-13718-A	K-2025	18" x 15"	<input type="checkbox"/> CP
K-13718-B	K-2863	19" x 17"	<input type="checkbox"/> CP
	K-2031	20" x 18"	
K-13718-C	K-2869	20" x 18"	<input type="checkbox"/> CP
	K-1728	19" x 17"	
K-13718-D	K-1729	20" x 18"	<input type="checkbox"/> CP
	K-2895	21" x 19"	
	K-2044	24" x 20"	<input type="checkbox"/> CP
K-13718-E	25" COUNTERTOP		<input type="checkbox"/> CP
K-13718-F	K-12793	28" x 22"	<input type="checkbox"/> CP

More Specified Models on Page 2.

**PRODUCT SPECIFICATION:**

Lavatory supply shall be of brass construction. Product shall feature a compression valve, loose key volume regulator, and N.P.T. connection. Supply shall deliver tempered water for floor-mount single and double foot control fittings. Product shall be Kohler Model K-\_\_\_\_\_ - \_\_\_\_\_-CP.

Model	For Fixture Similar To:	Size:	
<b>For Top-Drilled Shelf-Back Lavatories:</b>			
K-13719-A	K-2753	13" x 13"	<input type="checkbox"/> CP
	K-2731	16" x 14"	<input type="checkbox"/> CP
K-13719-B	K-2766	16" x 16"	<input type="checkbox"/> CP
	K-2705	19" x 17"	<input type="checkbox"/> CP
	K-2703	22" x 19"	<input type="checkbox"/> CP
	K-12672	19" x 17"	<input type="checkbox"/> CP



<b>Roughing-In Notes</b>
X = To suit fixture

## PRODUCT DIAGRAM