

**SINK SUPPLY
K-13720**

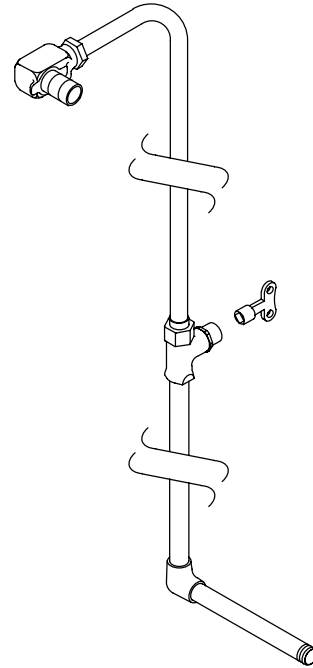
FEATURES

- Brass construction
- Compression valve
- Intended for center-drilled sinks with spout installations
- Delivers tempered water for floor-mount single and double foot control fittings
- Loose key volume regulator

CODES/STANDARDS APPLICABLE

Specified model meets or exceeds the following:

- ASME/ANSI A112.18.1M



COLORS/FINISHES

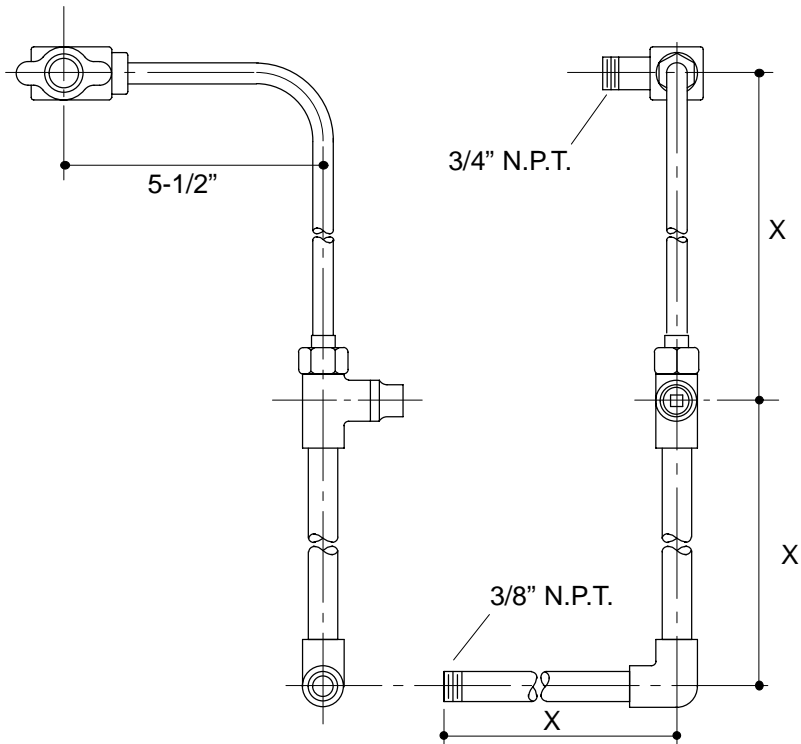
- CP Polished Chrome

SPECIFIED MODEL:

Model	For Fixture Similar To:	Size:	
K-13720-A	K-3200	36"	<input type="checkbox"/> CP
K-13720-B	K-6652	22" x 20"	<input type="checkbox"/> CP
K-13720-C	K-12784	24" x 22"	<input type="checkbox"/> CP
	K-12781	30" x 22"	

PRODUCT SPECIFICATION:

Sink supply shall be of brass construction. Supply is intended for center-drilled sink with spout installations, and shall deliver tempered water for floor-mount single and double foot control fittings. Product shall include compression valve, loose key volume regulator, and N.P.T. connections. Product shall be Kohler Model K-13720-____-CP.



14

Roughing-In Notes
X = To suit fixture

PRODUCT DIAGRAM