

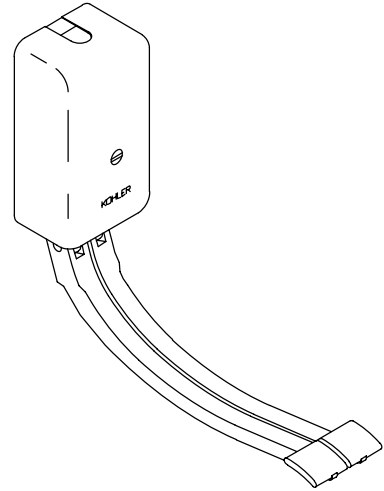
FEATURES

- Brass construction
- Self-closing compression mixing valve
- Loose key stops
- 14" hinged foot pedals

CODES/STANDARDS APPLICABLE

Specified model meets or exceeds the following:

- ASME/ANSI A112.18.1M
- IAPMO/UPC



COLORS/FINISHES

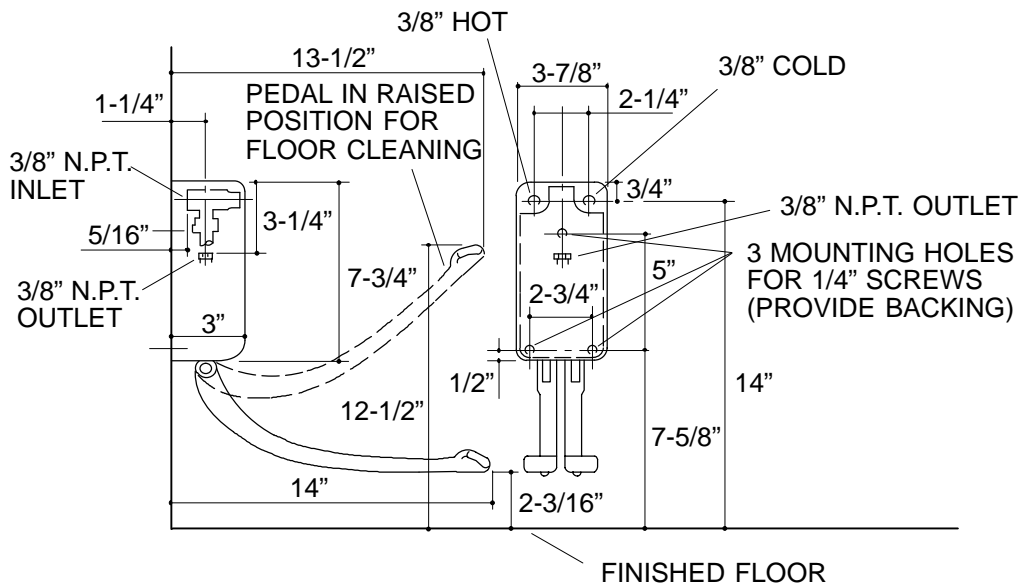
- CP Polished Chrome

SPECIFIED MODEL:

Model	Description	
K-13816	Foot Control	<input type="checkbox"/> CP

PRODUCT SPECIFICATION:

Wall-mount foot control shall be of brass construction. Product shall contain a self-closing compression mixing valve, hinged foot pedals, loose key stops, and 3/8" internal N.P.T. connections. Double foot control is intended for cold, hot, or tempered water. Product shall be Kohler Model K-13816-CP.



PRODUCT DIAGRAM